

Wardrobe Lift Side Mount -15



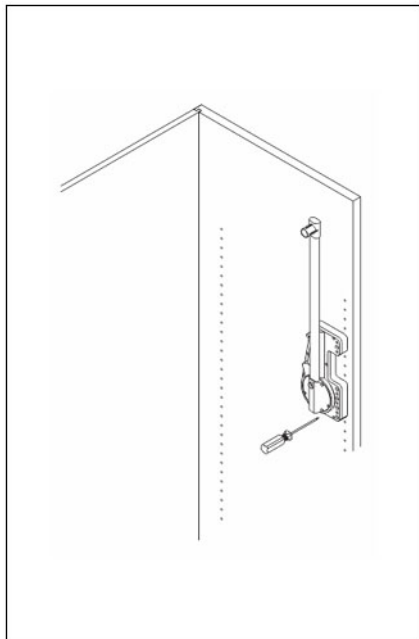
Quick Overview

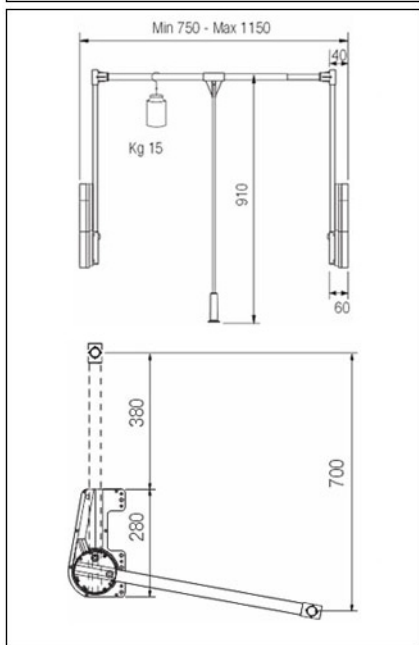
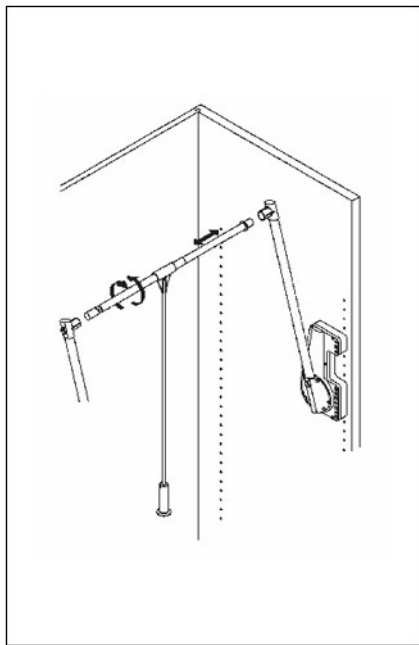
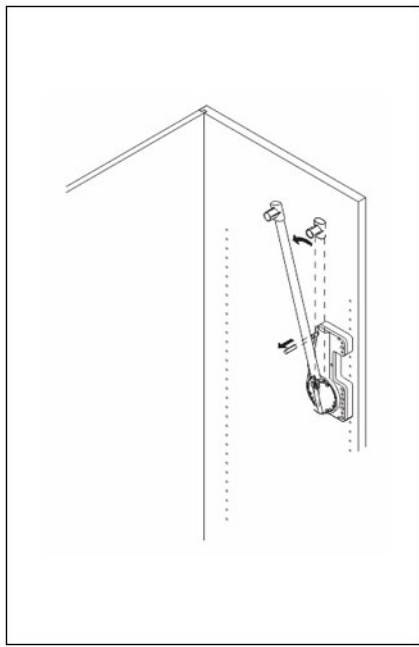
- It enables the wardrobe interior to be used in a new way, hanging suits and dresses.
- It can be lowered, locked in position to load or unload clothing, before returning easily into the wardrobe silently.
- The lift is returned to the top position by a hydraulic device operated with a specially designed fluid and is fixed directly into the "System 32" hole with fastening screws provided in the pack.
- Suited for a wardrobe in which the interiors are 750mm to 1150mm wide.
- It has a specially shaped base to accommodate door hinges.
- Load Capacity: 15kgs.

Specification

Item	Code	Width (mm)	Load	Finish
Wardrobe Lift Side Mount - 15	P-WLSM-15	750-1150	15kgs	Grey

Fitting Instructions





Care Instructions

- To clean when required, wipe with a dry cloth.
- Do not clean, paint, engrave or use any chemicals on the product.
- Do not overload.

Warranty

- Our Products comes with a 12 month warranty against any manufacturing defects.

- The warranty does not cover damages due to incorrect and inaccurate installation of the product.
- For any guidance or help required with installation, please email us at help@ebco.in with your order number and a scanned copy of the invoice.
- The warranty does not cover any usage of the product beyond its intended use and wear and tear in the natural course of product usage.
- The warranty is only valid against an original invoice received at the time of purchase.

Returns

- All sales are final, except in the case of any manufacturing defects. For any manufacturing defects, we offer easy replacements.
- In the case of transit damage, it rests solely at the discretion of Ebco to process any replacements on a case-by-case basis.
- In case, you receive a defective or damaged product , please contact us within 7 days of receipt. Email us a few photographs with the order number and a scanned copy of the invoice to help@ebco.in.
- We will assess the damage and revert within 24 hours. We will either arrange to collect the product and send you a replacement free of charge or just send you a replacement part.