



## Wardrobe Drawer Organiser 2



### Quick Overview

- These wardrobe drawer organizers help you store items such as watches, jewellery, ornaments, etc. in an organized and easy-to-access way
- These can be easily added to existing wardrobe drawers or shelves and moved around to suit your needs
- Dimensions: Length x Width x Height : 425mm x 165mm x 50mm

### Wardrobe Drawer Organiser 2 Models

Wardrobe Drawer Organiser 2 - Watch / Bangles 1

Wardrobe Drawer Organiser 2 - Watch / Bangles 2

Wardrobe Drawer Organiser 2 - Multipurpose-4-1

Wardrobe Drawer Organiser 2 -

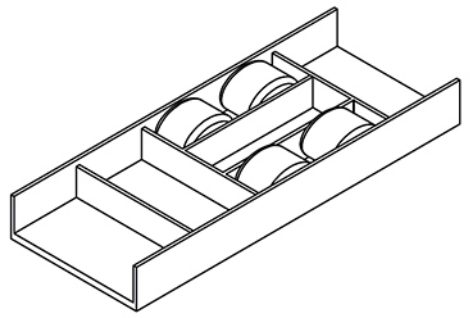
Multipurpose-4-2

Wardrobe Drawer Organiser 2 - Ornaments & Rings

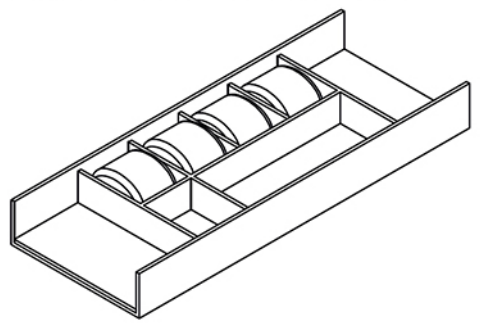
### Specification

Model	Code	Size (mm)	Finish
Wardrobe Drawer Organiser 2 - Watch / Bangles 1	WDO2-WB1	165 x 425 x 50 mm	Brown
Wardrobe Drawer Organiser 2 - Watch / Bangles 2	WDO2-WB2	165 x 425 x 50 mm	Brown
Wardrobe Drawer Organiser 2 - Multipurpose-4-1	WDO2-M41	165 x 425 x 50 mm	Brown
Wardrobe Drawer Organiser 2 - Multipurpose-4-2	WDO2-M42	165 x 425 x 50 mm	Brown
Wardrobe Drawer Organiser 2 - Ornaments & Rings	WDO2-OR	165 x 425 x 50 mm	Brown

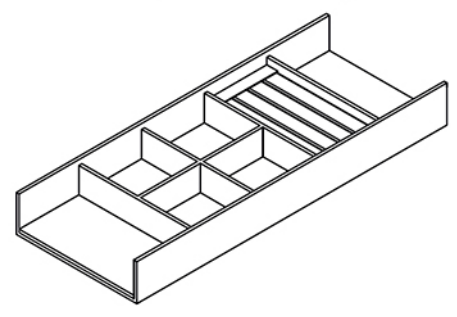
### Fitting Instructions



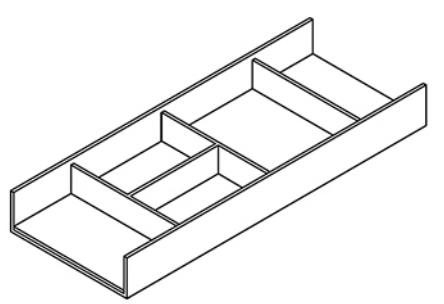
Wardrobe Drawer Organiser 2 - Watch/Bangles 1



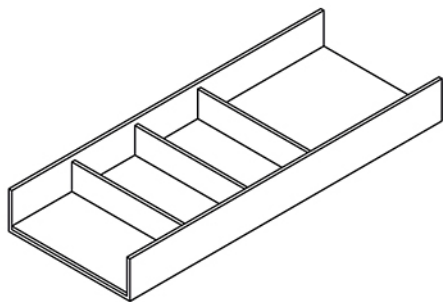
Wardrobe Drawer Organiser 2 - Watch/Bangles 2



Wardrobe Drawer Organiser 2 - Ornament & Rings



Wardrobe Drawer Organiser 2 - Multipurpose-4-2



Wardrobe Drawer Organiser 2 -  
Multipurpose-4-1

## Care Instructions

- To clean when required, wipe with a dry cloth.
- Do not wash, clean, paint, engrave or use any chemicals on the product.

## Warranty

- Our product comes with a 12-month warranty against any manufacturing defects.
- The warranty does not cover damages due to incorrect and inaccurate installation of the product.
- For any guidance or help required with installation, please email us at [help@ebco.in](mailto:help@ebco.in) with your order number and a scanned copy of the invoice.
- The warranty does not cover any usage of the product beyond its intended use and wear and tear in the natural course of product usage.
- The warranty is only valid against an original invoice received at the time of purchase.

## Returns

- All sales are final, except in the case of any manufacturing defects. For any manufacturing defects, we offer easy replacements.
- In the case of transit damage, it rests solely at the discretion of Ebco to process any replacements on a case-by-case basis.
- In case, you receive a defective or damaged product , please contact us within 7 days of receipt. Email us a few photographs with the order number and a scanned copy of the invoice to [help@ebco.in](mailto:help@ebco.in).
- We will assess the damage and revert within 24 hours. We will either arrange to collect the product and send you a replacement free of charge or just send you a replacement part.