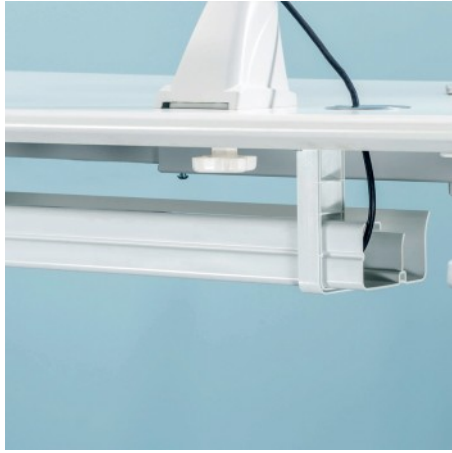




Undermount Cable Tray



Quick Overview

- New undermount cable trays with broader base protect the users from coming in direct contact with cables.
- Ideal for cable management.
- Available in two options â Clip and Brackets for easy installation.
- Ideal to suit any type of work stations, conference table, executive tables, etc.

Undermount Cable Tray Options

UCT551 (WH)

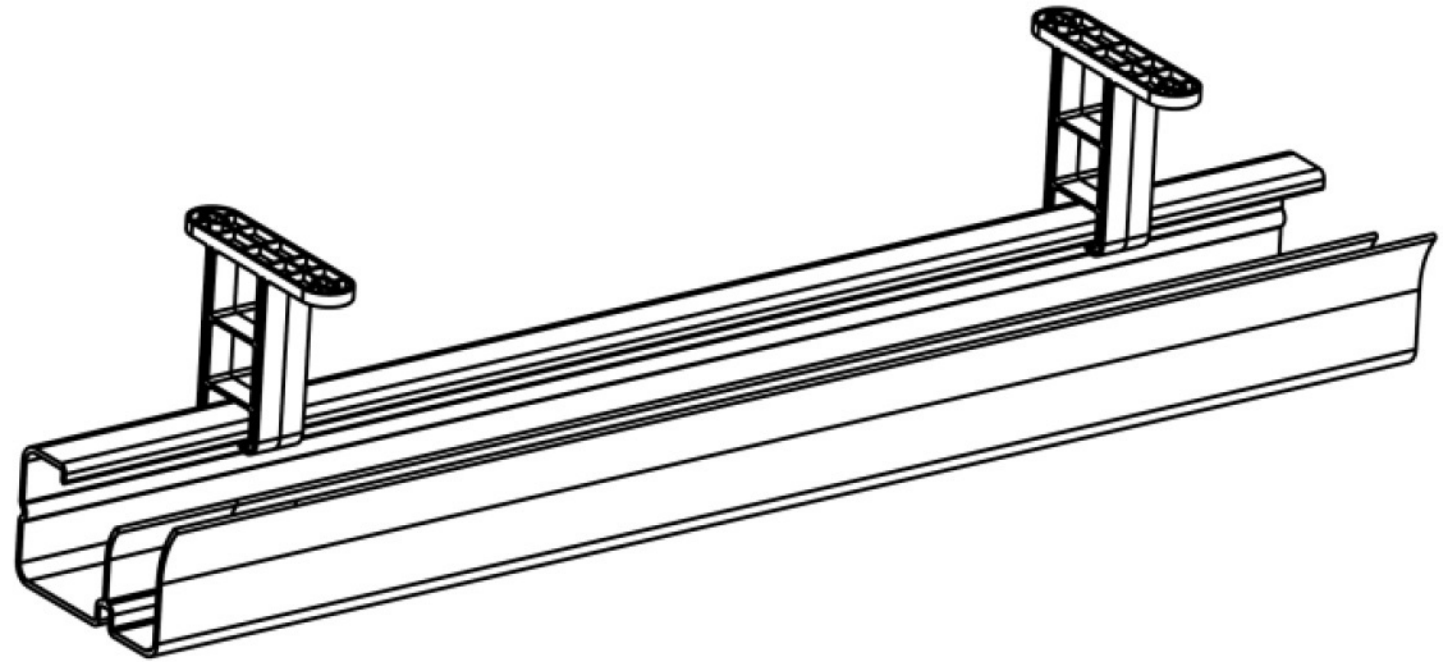
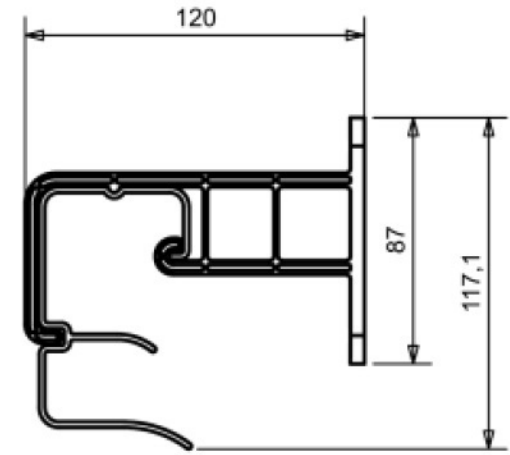
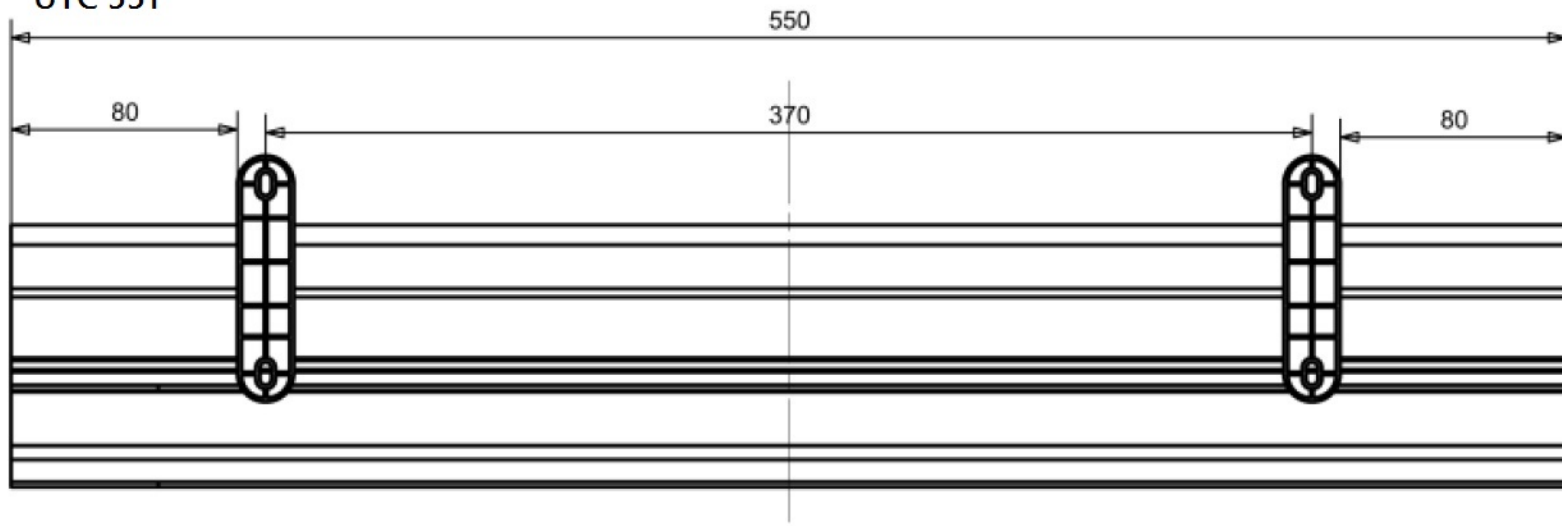
UCT552 (WH)

Specification

Model	Code	Size (mm)	Finish
Undermount Cable Tray	UCT-551-WH	550x89x52mm	White
	UCT-552-WH	550x180x120mm	

Fitting Instructions

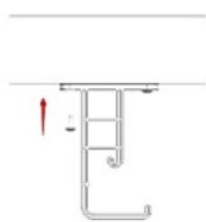
UTC 551



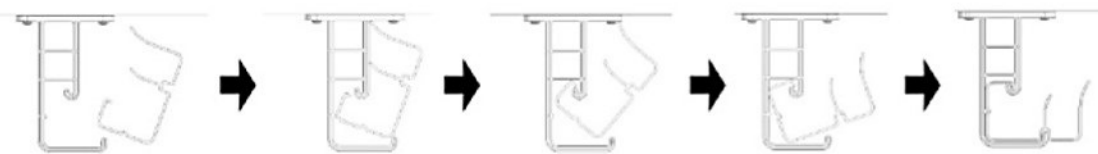
Installation UCT 551:



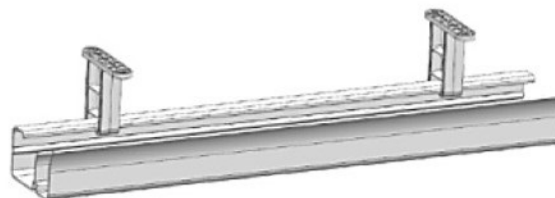
❶ fix this two hanging clips under the table by screw firstly



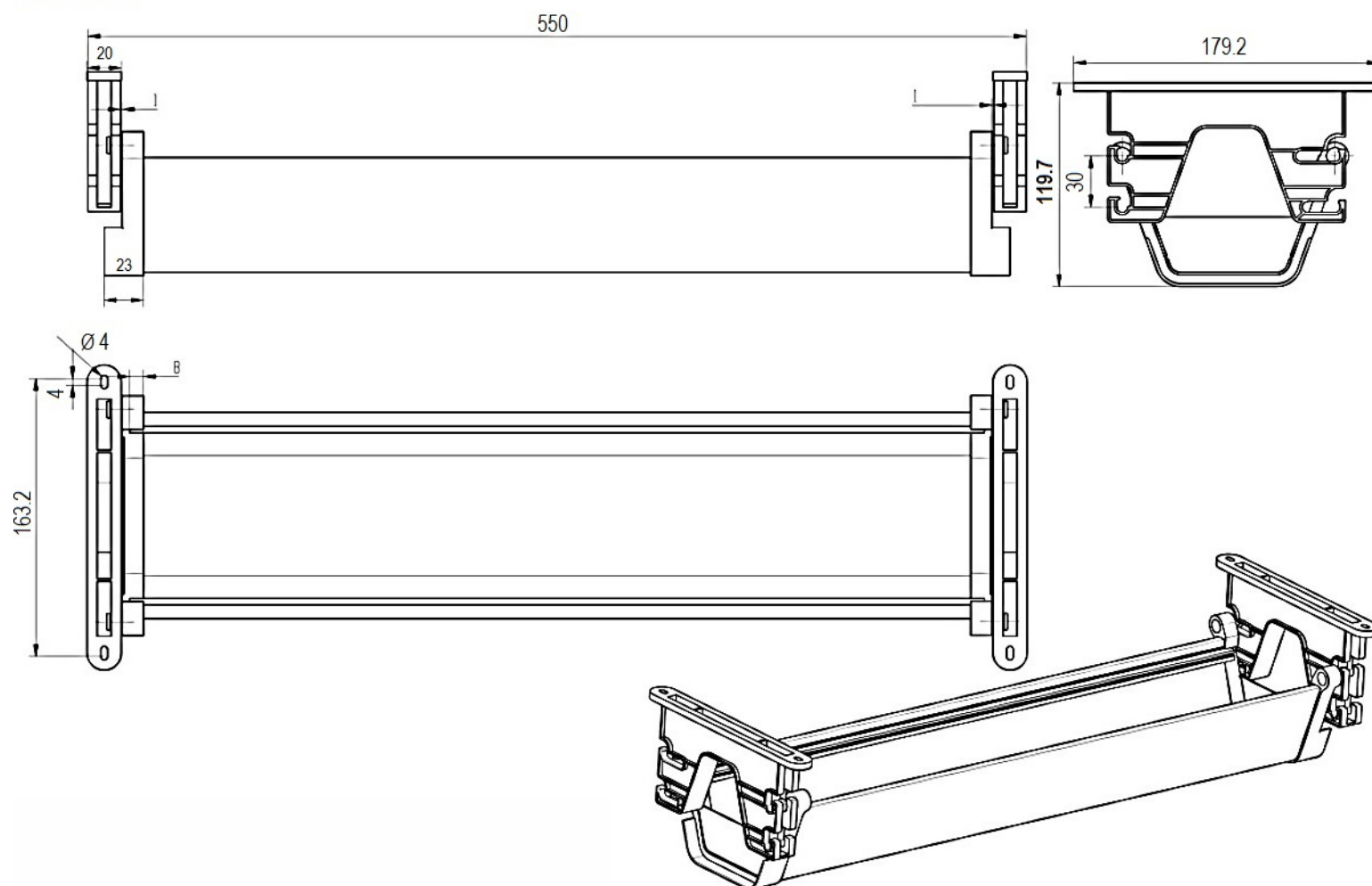
❷ The distance between the two hanging clips is based on the length of cable tunnel



❸ Then install the cable tunnel into the hanging clips, how? pls kindly refer to above steps



UCT 552



Care Instructions

- To clean when required, wipe with a dry cloth.

- Do not clean, paint, engrave or use any chemicals on the product.

Warranty

- Our product comes with a 12-month warranty against any manufacturing defects.
- The warranty does not cover damages due to incorrect and inaccurate installation of the product.
- For any guidance or help required with installation, please email us at help@ebco.in with your order number and a scanned copy of the invoice.
- The warranty does not cover any usage of the product beyond its intended use and wear and tear in the natural course of product usage.
- The warranty is only valid against an original invoice received at the time of purchase.

Returns

- All sales are final, except in the case of any manufacturing defects. For any manufacturing defects, we offer easy replacements.
- In the case of transit damage, it rests solely at the discretion of Ebco to process any replacements on a case-by-case basis.
- In case, you receive a defective or damaged product , please contact us within 7 days of receipt. Email us a few photographs with the order number and a scanned copy of the invoice to help@ebco.in.
- We will assess the damage and revert within 24 hours. We will either arrange to collect the product and send you a replacement free of charge or just send you a replacement part.