



Wardrobe Pull-out Hanger - Trouser/Saree



Quick Overview

Single

- Wardrobe Pull Out Hanger - Single is an absolute novelty due to its versatility and its ability to take advantage of usually empty wardrobe space.
- It is mounted under the shelves.
- Can take load up to 10 saree/ trousers.
- Ring seat for possible housing of small clothing accessories (belts, ties, scarves).

Double

- Wardrobe Pull out Hanger- Double is an absolute novelty for versatility and the ability to take advantage of a usually empty wardrobe space.
- It is mounted under the shelves.
- Can take load up to 20 saree/ trousers.
- Ring seat for possible housing of small clothing accessories (belts, ties, scarves).

6+6

- Simple and elegant looking new wardrobe rack â trouser / saree.
- Capable of holding 12 hangers, thereby providing clear access to your outfits.
- Thoughtfully designed hangers with easy pull-out is convenient for storing outfits with accessories such as belts, ties or neck scarves.
- 6 hangers for trousers and 6 hangers for sarees.

Pull-out Hanger Options

Single

Double

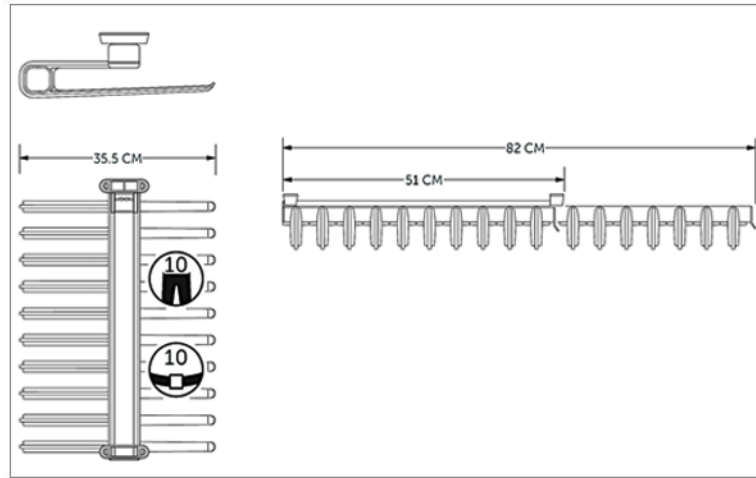
6+6

Specification

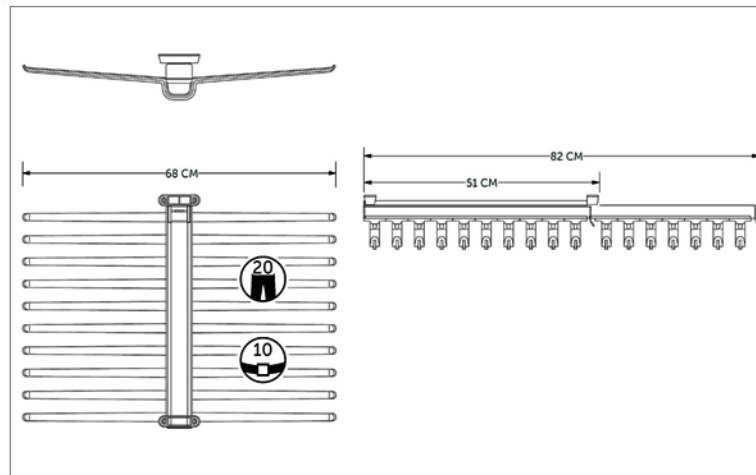
Model	Code	Size(mm)	Finish
Wardrobe Pull-out Hanger - Trouser / Saree - Single	WPH-TSS-45	Min. cabinet width 450	Grey
Wardrobe Pull-out Hanger - Trouser / Saree - Double	WPH-TSD-75	Minimum cabinet width 750 mm	Grey
Wardrobe Rack - Trouser / Saree (6+6 Hangers)	P-WR2-TS	Cabinet width 800 - 1200	Grey

Fitting Instructions

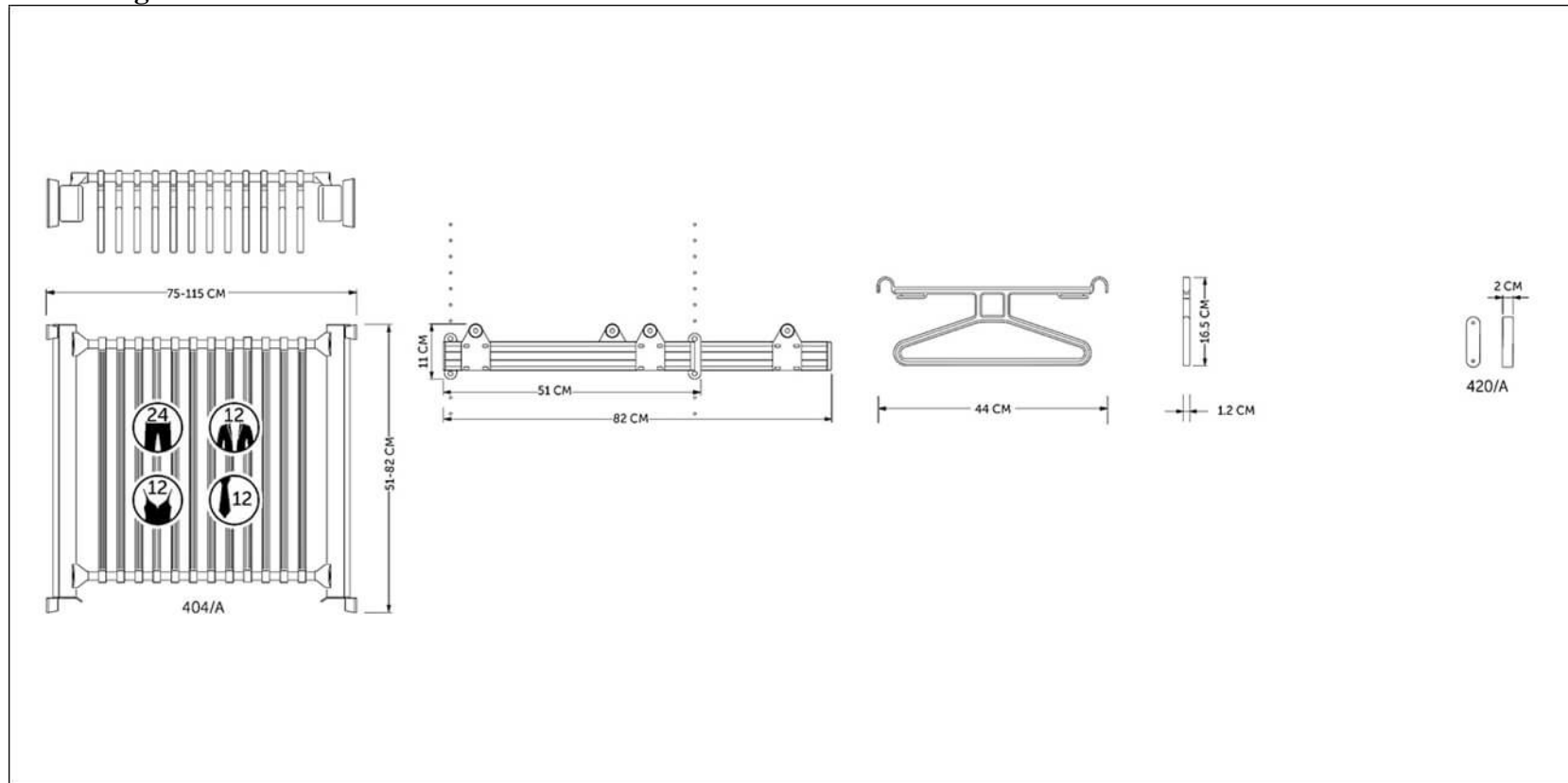
Single



Double



6 + 6 Hangers



Care Instructions

- To clean when required, wipe with a dry cloth.
- Do not clean, paint, engrave or use any chemicals on the product.
- Do not overload.

Warranty

- Our Products comes with a 12 month warranty against any manufacturing defects.
- The warranty does not cover damages due to incorrect and inaccurate installation of the product.

- For any guidance or help required with installation, please email us at help@ebco.in with your order number and a scanned copy of the invoice.
- The warranty does not cover any usage of the product beyond its intended use and wear and tear in the natural course of product usage.
- The warranty is only valid against an original invoice received at the time of purchase.

Returns

- All sales are final, except in the case of any manufacturing defects. For any manufacturing defects, we offer easy replacements.
- In the case of transit damage, it rests solely at the discretion of Ebco to process any replacements on a case-by-case basis.
- In case, you receive a defective or damaged product , please contact us within 7 days of receipt. Email us a few photographs with the order number and a scanned copy of the invoice to help@ebco.in.
- We will assess the damage and revert within 24 hours. We will either arrange to collect the product and send you a replacement free of charge or just send you a replacement part.