



## CPU Station



### Quick Overview

- This product mounts your CPU under your desk.
- It comes with a unique locking lever which helps lock the side locking bracket in place.
- The CPU can be pulled out and swiveled for easy access and cleaning.
- It comes with a security lock with keys incorporated in its design.
- It saves valuable working space.
- Enables better ventilation.
- Allows cleaning underneath the CPU which is not possible if it is kept on the ground.
- This product is easy to fit, is directly mounted and requires no assembly.
- Soft pads are provided to keep the CPU from vibrating.
- Height Adjustment 300mm to 550mm.
- Width Adjustment **Without Lock:** 70mm to 250mm; **With Lock:** 160mm to 210mm.
- Safe load 20 kilograms.

### CPU Station Options

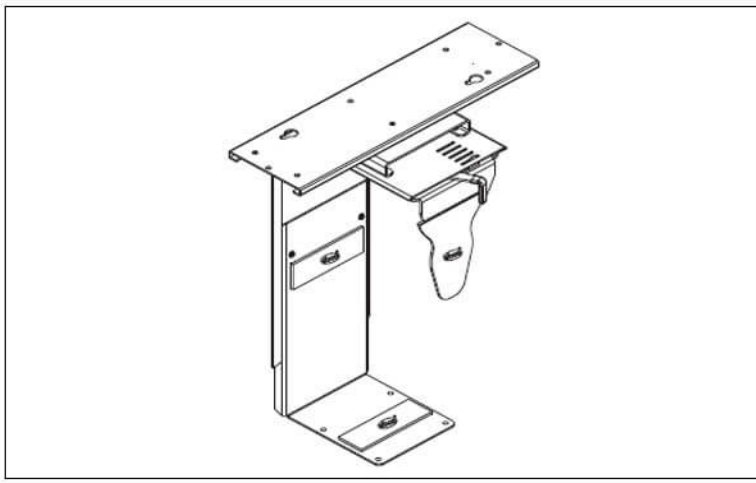
Without Lock

With Lock

### Specification

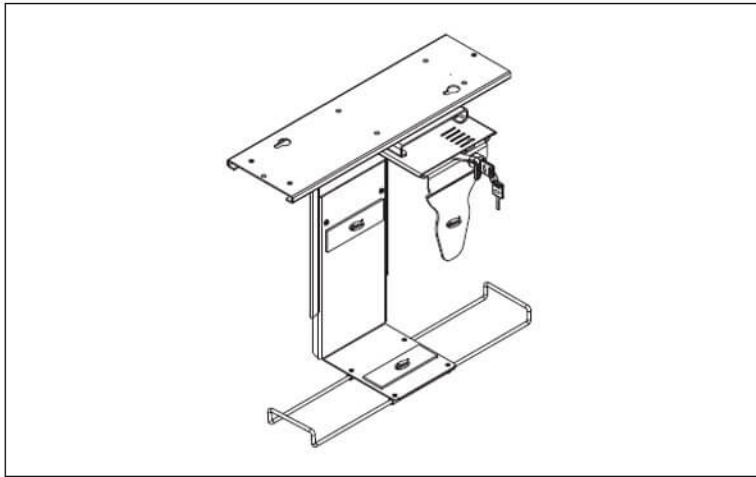
#### CPU Station w/o Lock

| Code  | Load  | Height Adjustment | Width Adjustment | Finish |
|-------|-------|-------------------|------------------|--------|
| CPUSN | 20kgs | 300mm - 550mm     | 70mm - 250mm     | Black  |



### CPU Station with Lock

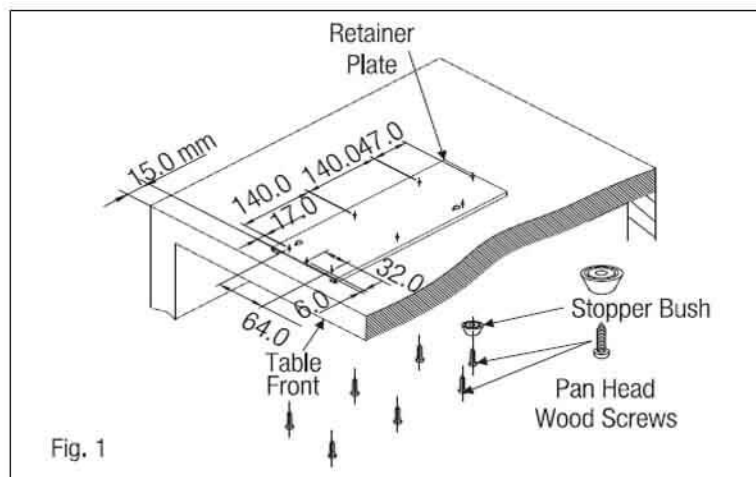
| Code  | Load  | Height Adjustment | Width Adjustment | Finish |
|-------|-------|-------------------|------------------|--------|
| CPUSL | 20kgs | 300mm - 550mm     | 160mm 210mm      | Black  |

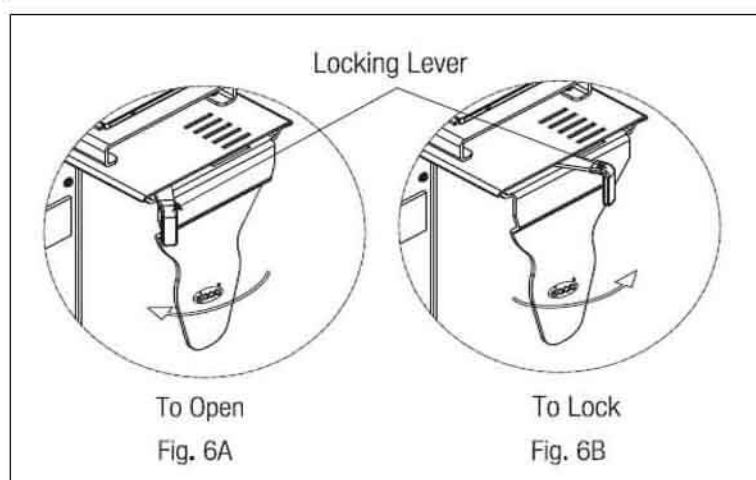
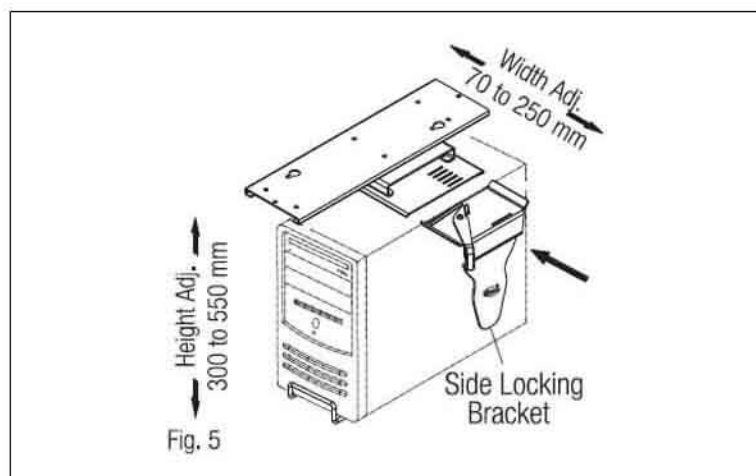
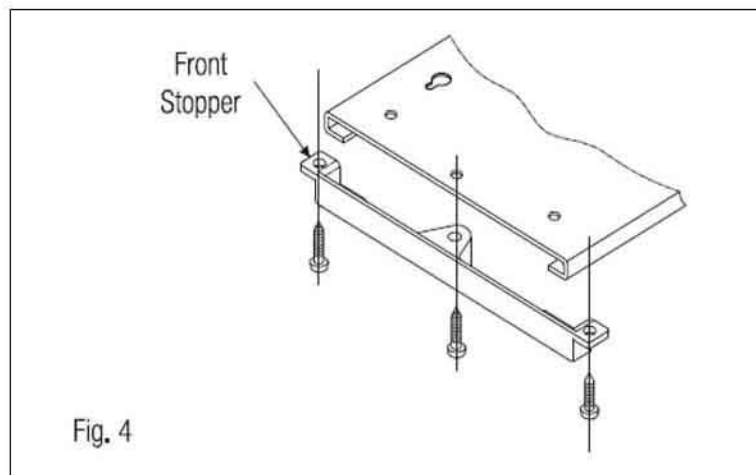
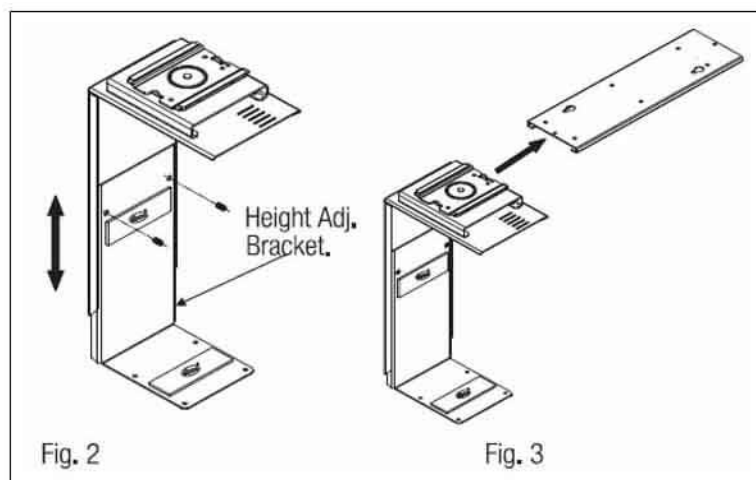


### Fitting Instructions

#### CPU Station w/o Lock

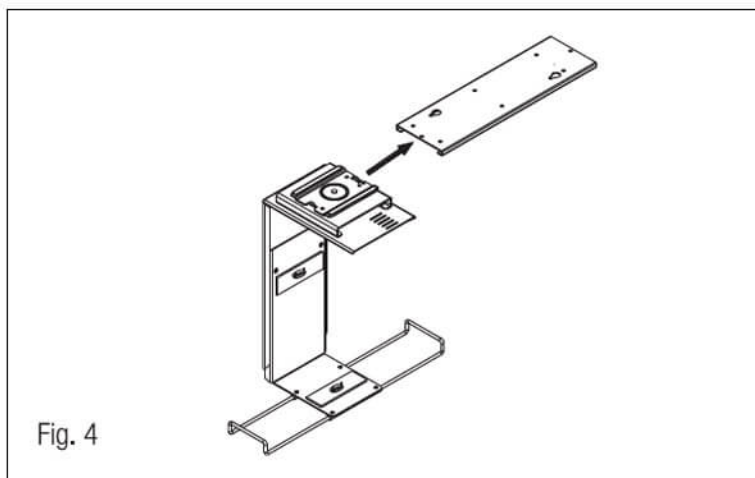
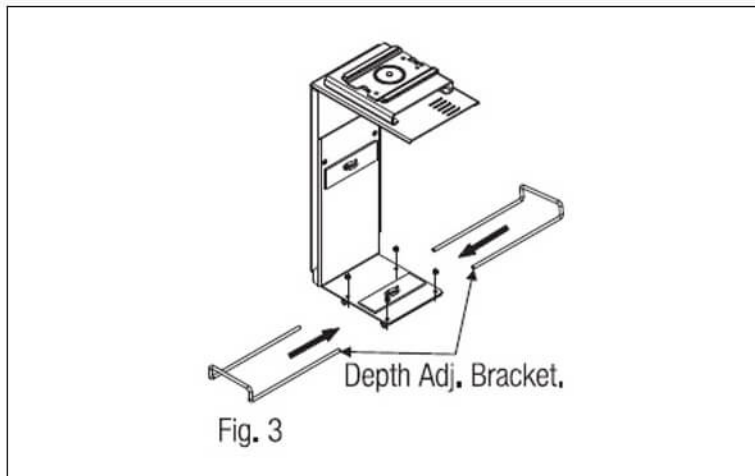
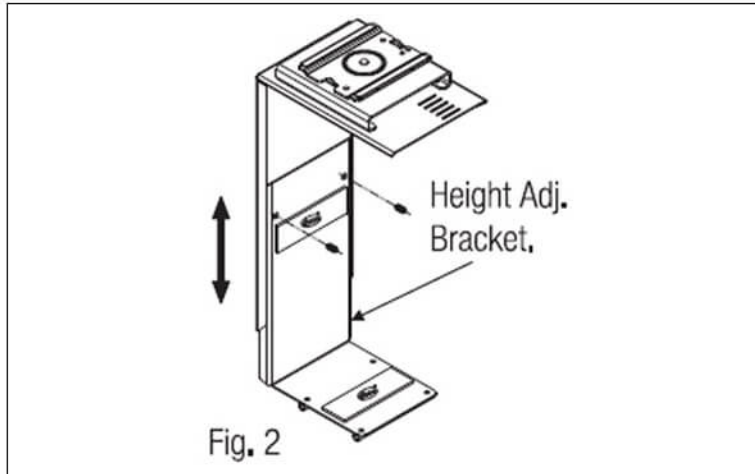
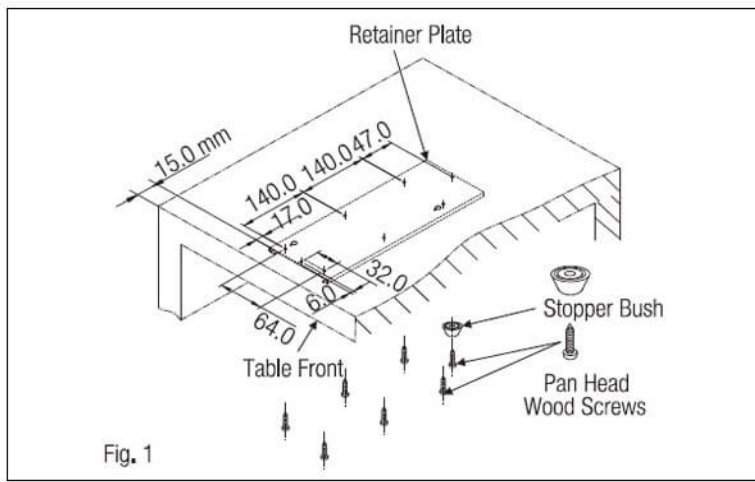
- Fit the Retainer Plate under the table top leaving 15 mm from the front. Fit the Stopper Bush at the rear end. (Ref. Fig.1) Use pan head wood screws provided.
- Adjust the Height Adjustment Bracket to suitable height of the C.P.U. and tighten the grub screws provided properly. (Ref. Fig.2).
- Slide the assembly into the Retainer Plate. (Ref. Fig.3).
- Fix the Front Stopper to the front end of Retainer Plate. (Ref. Fig.4).
- Place the C.P.U and insert the Side Locking Bracket (Ref. Fig.5).
- While inserting the Side locking Bracket ensure that the Locking Lever is in open position. (Ref. Fig. 6A).
- Lock the C.P.U. with Locking Lever by turn to the right. (Ref. Fig. 6B).

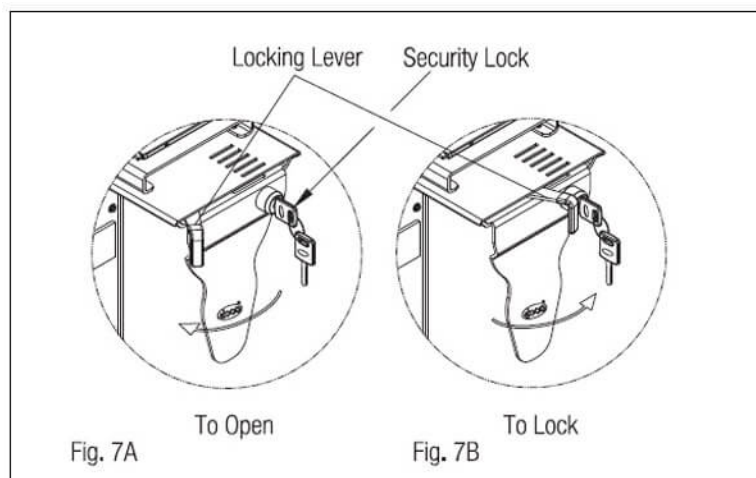
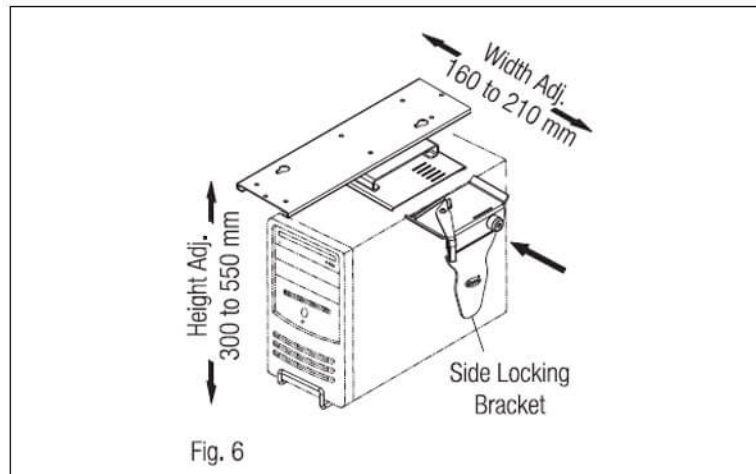
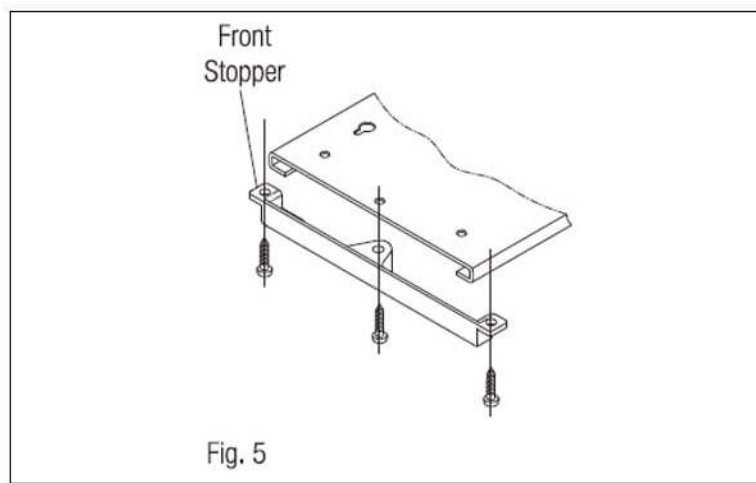




### CPU Station with Lock

- Fit the Retainer Plate under the table top leaving 15 mm from the front. Fit the Stopper Bush at the rear end. (Ref. Fig.1) Use pan head wood screws provided.
  - Adjust the Height Adjustment Bracket to suitable height of the C.P.U. and tighten the grub screws provided properly. (Ref. Fig.2).
  - Assemble the Depth Adjustment Brackets to suitable depth of C.P.U. as shown in diagram and tighten the grub screws provided. (Ref. Fig. 3).
  - Slide the assembly into the Retainer Plate. (Ref. Fig.4).
  - Fix the Front Stopper to the front end of Retainer Plate. (Ref. Fig.5).
  - Place the C.P.U and insert the Side Locking Bracket (Ref. Fig.6).
- While inserting the Side locking Bracket ensure that the Locking Lever is in open position. (Ref. Fig. 7A).
- Lock the C.P.U. with Locking Lever (Ref. Fig. 7B). Additional lock provided for the security of the C.P.U.





## Care Instructions

- To clean when required, wipe with a dry cloth.
- Do not clean, paint, engrave or use any chemicals on the product.

## Warranty

- Our Products comes with a 12 month warranty against any manufacturing defects.
- The warranty does not cover damages due to incorrect and inaccurate installation of the product.
- For any guidance or help required with installation, please email us at [help@ebco.in](mailto:help@ebco.in) with your order number and a scanned copy of the invoice.
- The warranty does not cover any usage of the product beyond its intended use and wear and tear in the natural course of product usage.
- The warranty is only valid against an original invoice received at the time of purchase.

## Returns

- All sales are final, except in the case of any manufacturing defects. For any manufacturing defects, we offer easy replacements.
- In the case of transit damage, it rests solely at the discretion of Ebco to process any replacements on a case-by-case basis.
- In case, you receive a defective or damaged product , please contact us within 7 days of receipt. Email us a few photographs with the order number and a scanned copy of the invoice to [help@ebco.in](mailto:help@ebco.in).
- We will assess the damage and revert within 24 hours. We will either arrange to collect the product and send you a replacement free of charge or just send you a replacement part.