



## Computer Monitor Arm



### Quick Overview

- This product is mounted on a table top (grommet mounting) with a single or double arm.
- Suitable for standard monitors of 15 inches to 27 inches.
- Maximum load capacity - **Computer Monitor Arm - Single:** 8 kilograms; **Computer Monitor Arm - Double** - 8 kilograms per arm.
- Maximum load capacity - **Computer Monitor Arm â Single Extension:** 8 kilograms; **Computer Monitor Arm â Double Extension:** 8 kilograms per arm.
- Ergonomically designed for comfort and easy to fit, simultaneous adjustments possible.
- Compatible for **Video Electronics Standards Association (VESA)** sizes of 75mm width x 75mm height and 100mm width x 100mm height.
- Die cast for good aesthetics.
- It can be rotated left and right, as well as tilted up and down with a single knob.
- Functional design combined with elegant look
- Stable & durable design
- Available in Anthracite colour.

### Computer Monitor Arm Options

Single Screen

Double Screen

Extended Arm Single

Extended Arm Double

### Specification

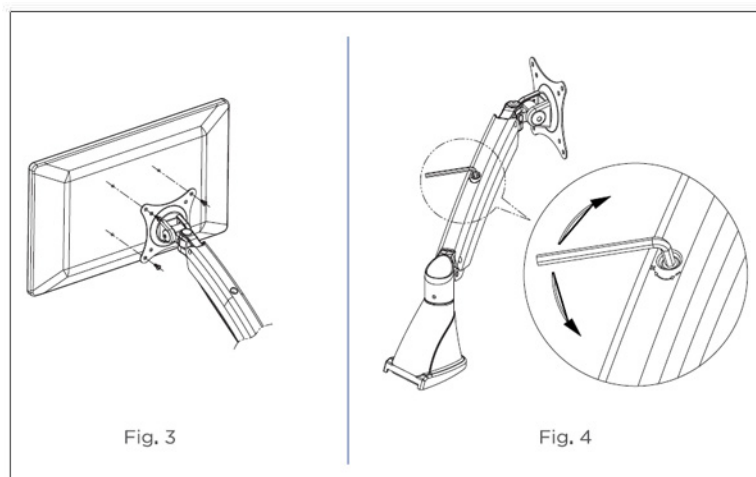
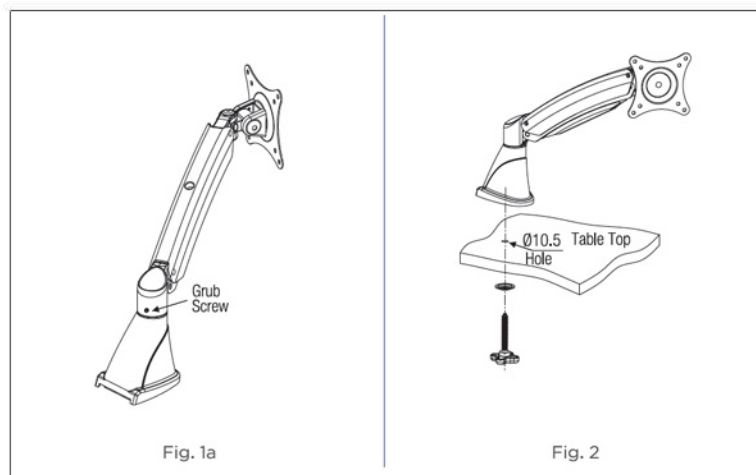
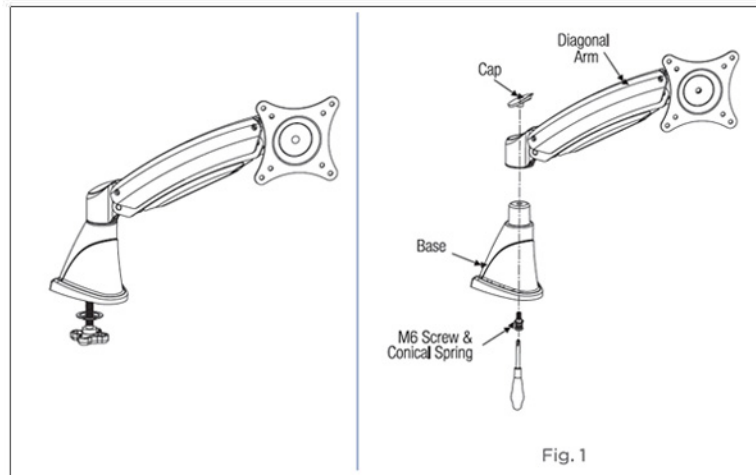
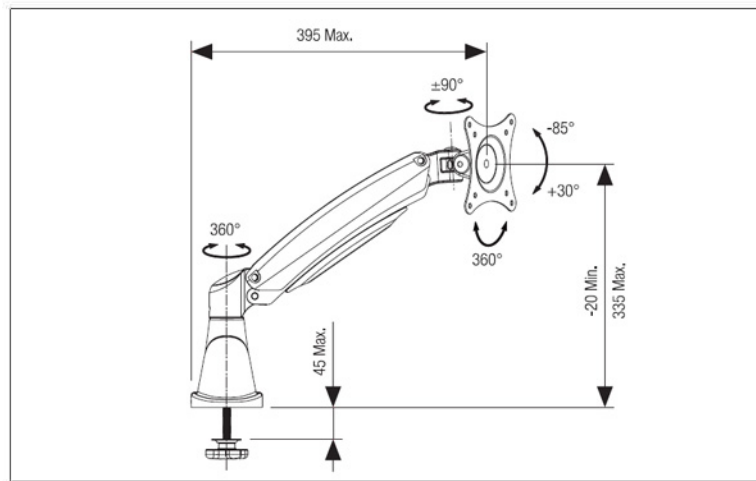
| Model                                      | Code       | Finish     |
|--|------------|------------|
| Computer Monitor Arm Single Screen         | CMA-SA     | Anthracite |
| Computer Monitor Arm Double Screen         | CMA-DA     | Anthracite |
| Computer Monitor Arm â Single Extended Arm | CMA-EA-AT  | Anthracite |
| Computer Monitor Arm â Double Extended Arm | CMA-DEA-AT | Anthracite |

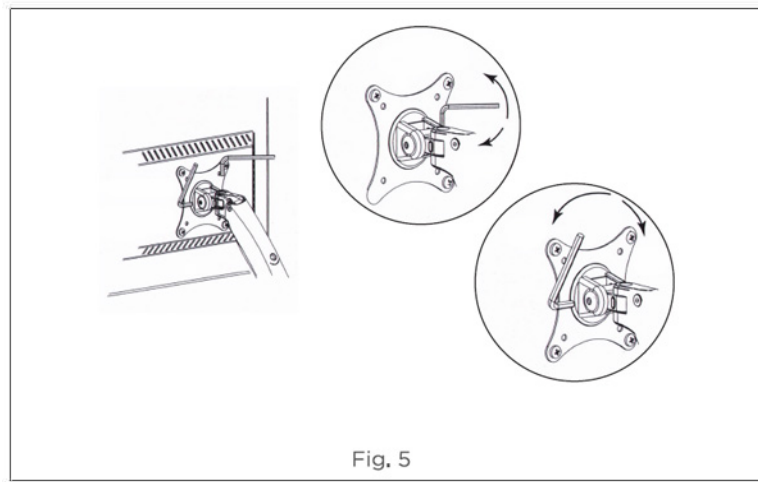
### Fitting Instructions

#### Single Arm

- Fix the Diagonal Arm onto the Base with Cap & M6 screw as shown in Fig.1.
- Tighten the grub screw shown in Fig. 1a.
- Drill Å 10.5 mm hole through out on table top on the desired position & Mount the Base as shown in Fig.2.
- Screw the Flat Screen to the Mounting plate as shown in Fig.3.

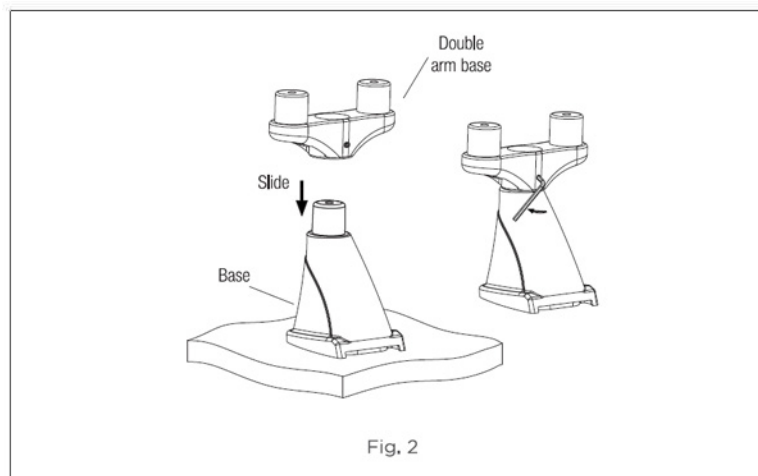
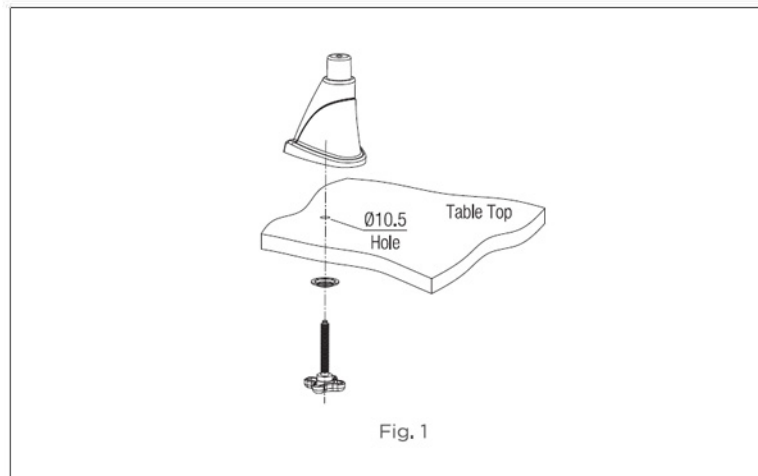
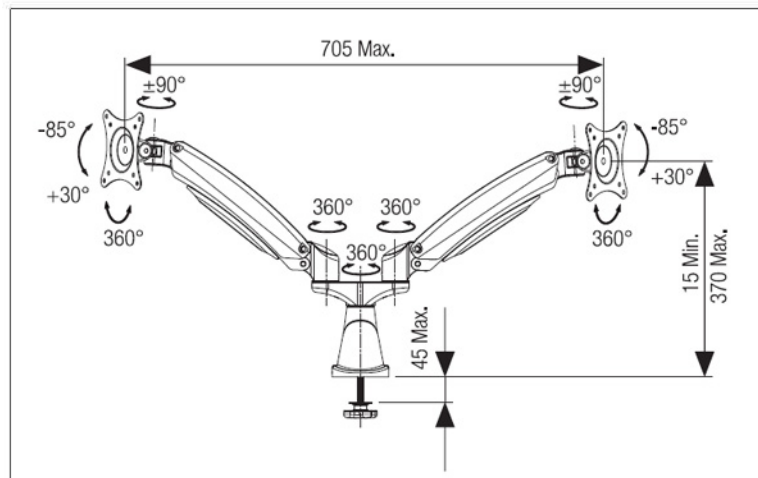
- Pressure can be adjusted by tightening & loosening the screw as shown in Fig.4.

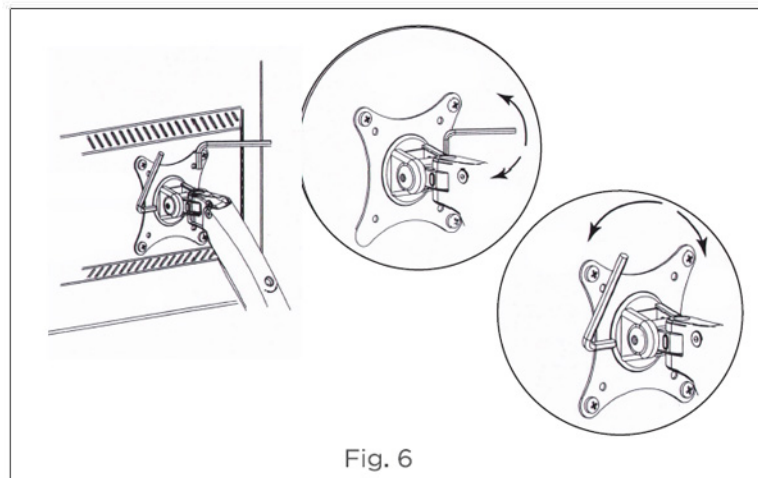
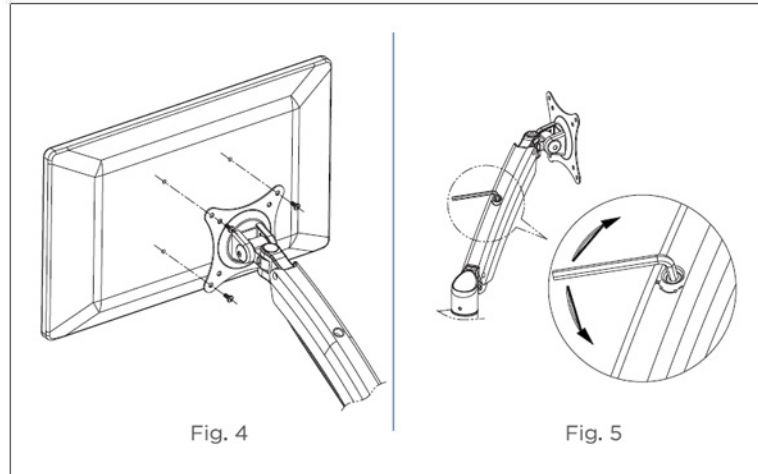
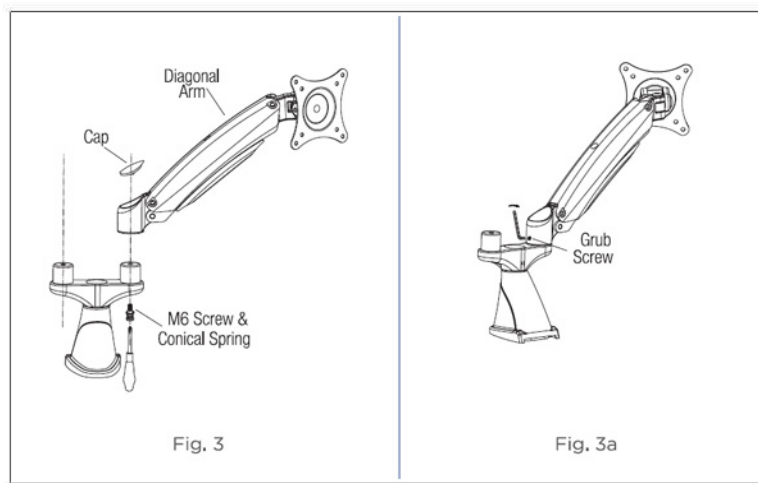




## Double Arm

- Drill  $\tilde{\text{A}}$  10.5mm hole through out on table top on the desired position & Mount the Base as shown in Fig.1.
- Slide the double Arm Base onto the Base & tighten the grub screw as shown in Fig. 2.
- Fix the Diagonal Arm onto the Double Arm Base with Cap & M6 screw as shown in Fig. 3. & tighten the grub screw as shown in Fig 3a.
- Screw the Flat Screen to the Mounting plate as shown in Fig. 4.
- Pressure can be adjusted by tightening & loosening the screw as shown in Fig. 5.





### Computer Monitor Arm â Single Extended Arm:

- Fix the Extended Arm onto the Base with Cap & M6 screw as shown in Fig. 1.
- Tighten the grub screw shown in Fig. 1a.
- Drill Å 10.5mm hole through out on table top on the desired position & Mount the Base as shown in Fig. 2.
- Fix the Diagonal arm onto Extended Arm with Cap & M6 screw & then Tighten the grub screw as shown in Fig. 3.
- Screw the Flat Screen to the Mounting plate as shown in Fig. 4.
- Pressure can be adjusted by tightening and loosening the screw as shown in Fig 5.
- Tighten the screw to adjust the load of the monitor as shown in Fig.6.

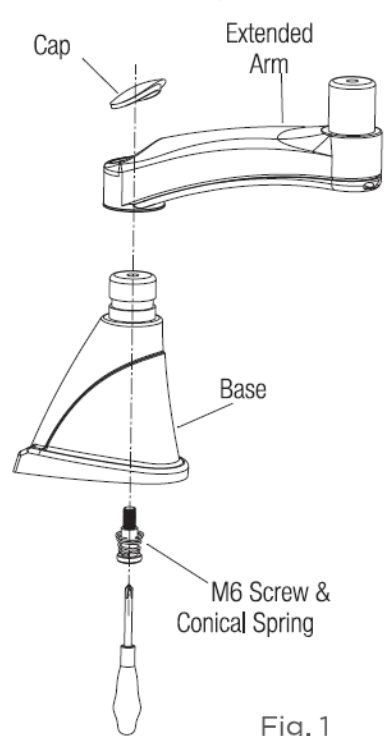
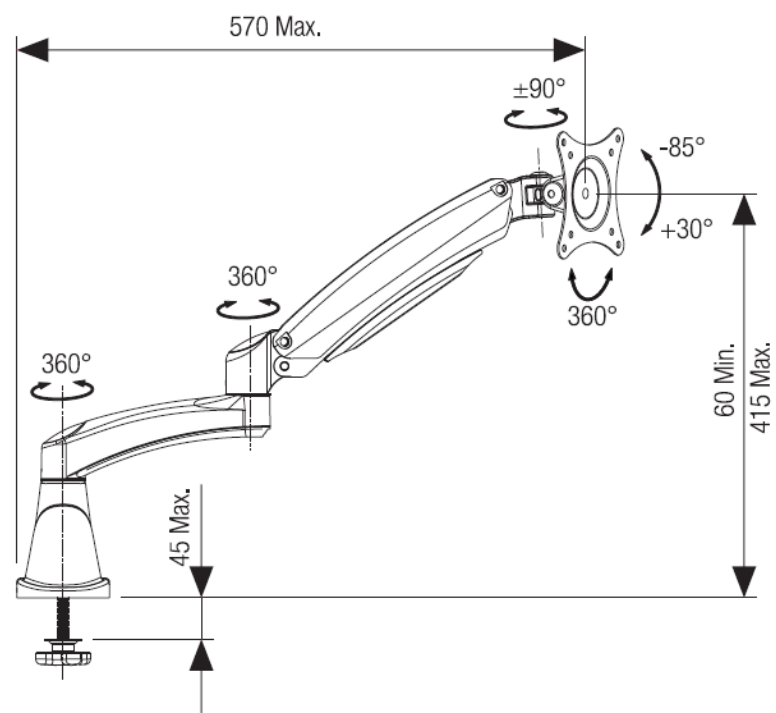


Fig. 1

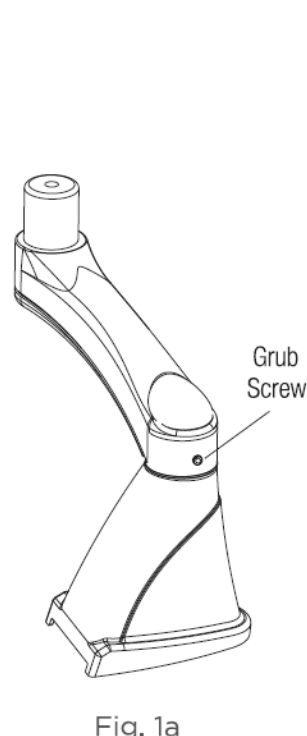


Fig. 1a

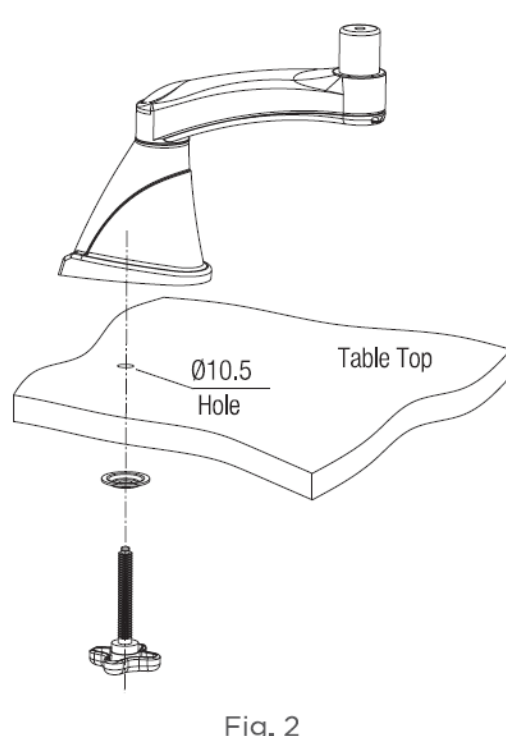


Fig. 2

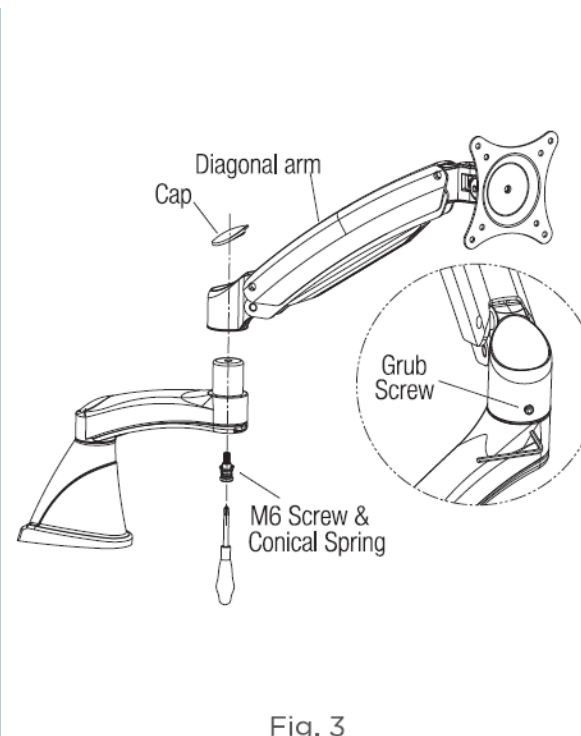


Fig. 3

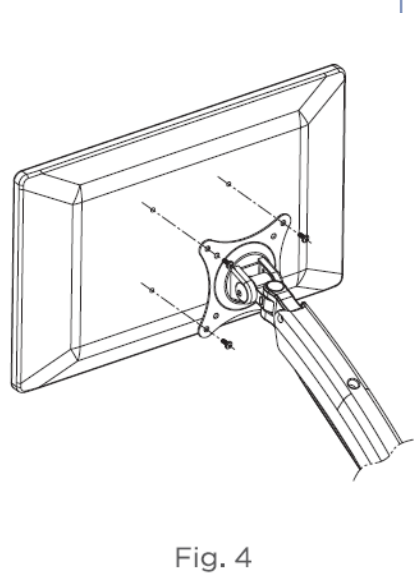


Fig. 4

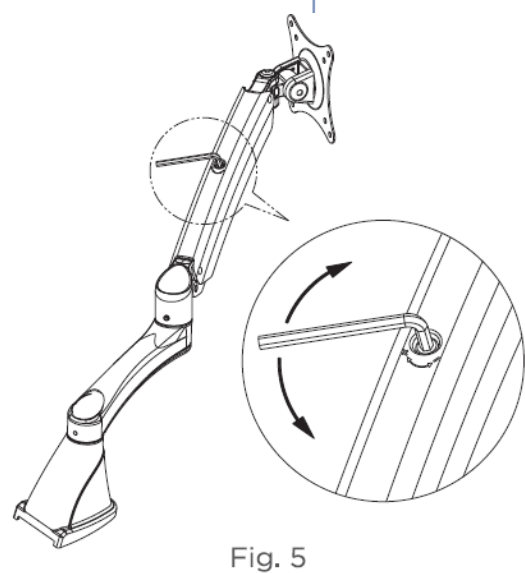


Fig. 5

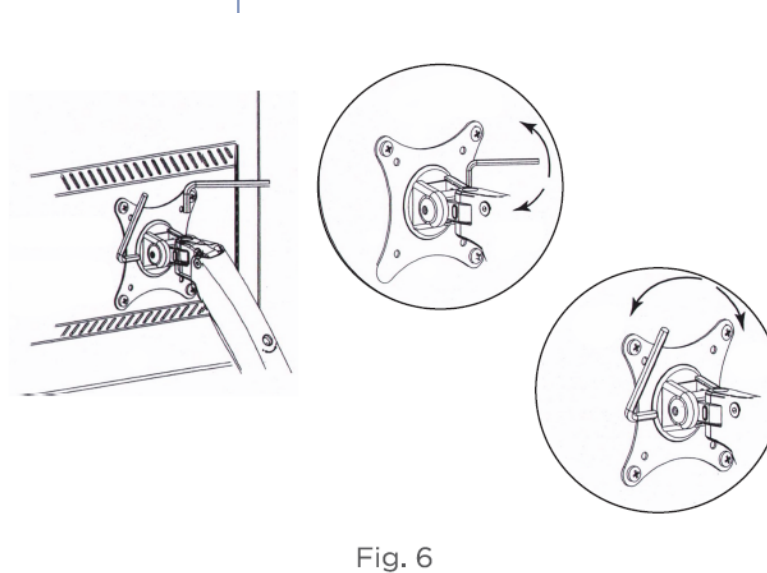


Fig. 6

### Computer Monitor Arm â Double Extended Arm:

- Drill Å 10.5mm hole through out on table top on the desired position & Mount the Base as shown in Fig.1.
- Slide the double Arm Base onto the Base & tighten the grub screw as shown in Fig. 2.
- Fix the Extended Arm onto the Double Arm Base with Cap & M6 screw as shown in Fig. 3. & tighten the grub screw as shown in Fig 3a.
- Fix the Diagonal arm onto Extended Arm with Cap & M6 screw & then tighten the grub screw as shown in Fig. 4.
- Screw the Flat Screen to the Mounting plate as shown in Fig. 5.
- Pressure can be adjusted by tightening & loosening the screw as shown in Fig. 6.
- Tighten the screws to adjust the load o the monitor as shown in Fig .7.

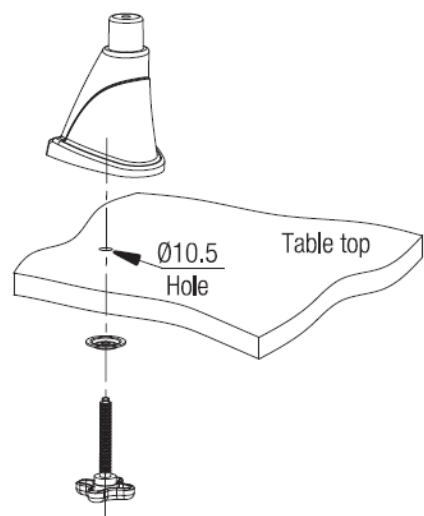
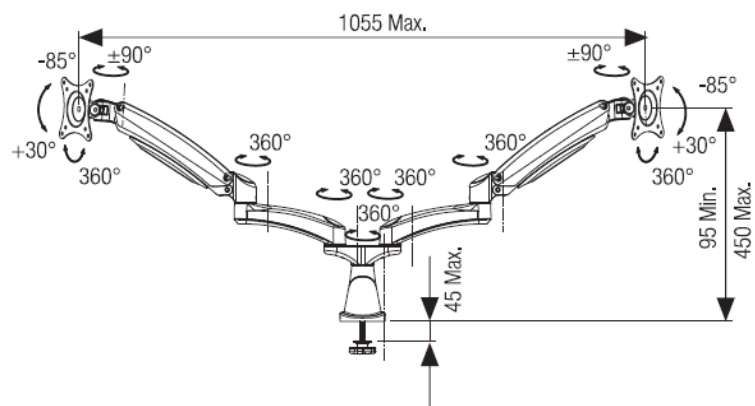


Fig. 1

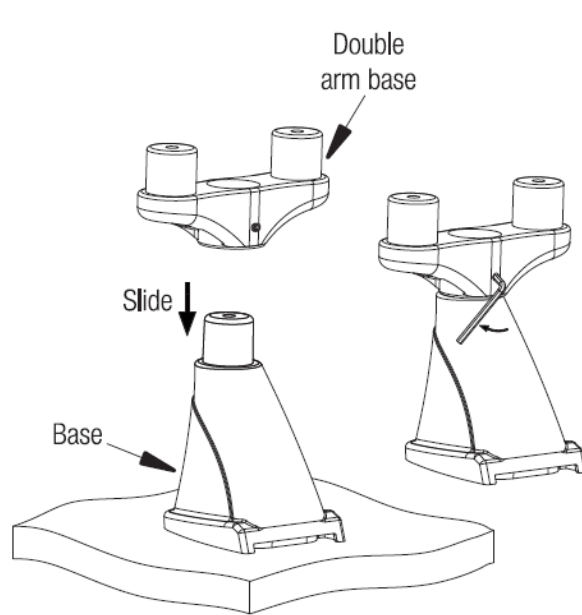


Fig. 2

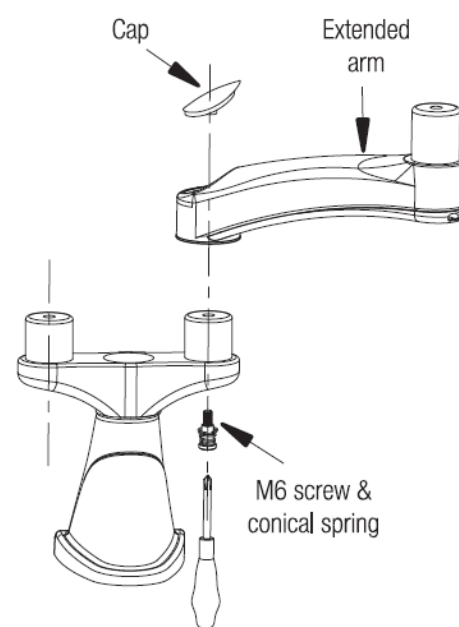


Fig. 3

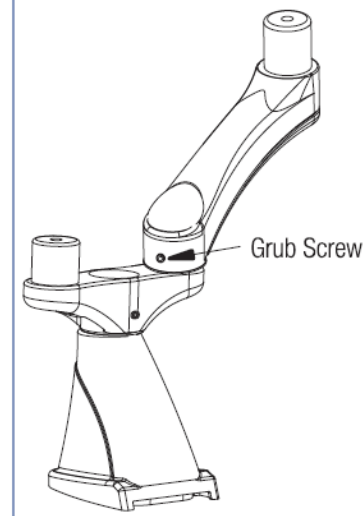


Fig. 3a

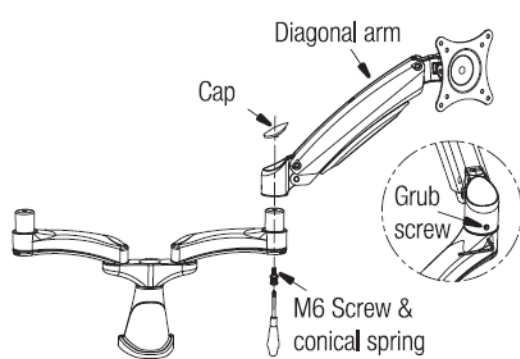


Fig. 4

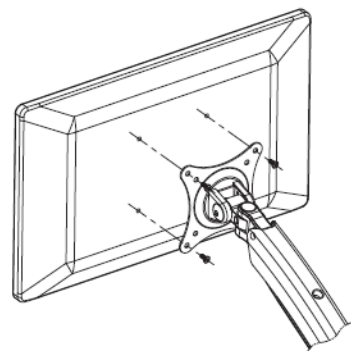


Fig. 5

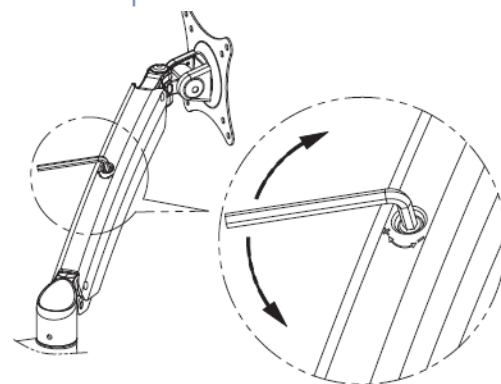


Fig. 6

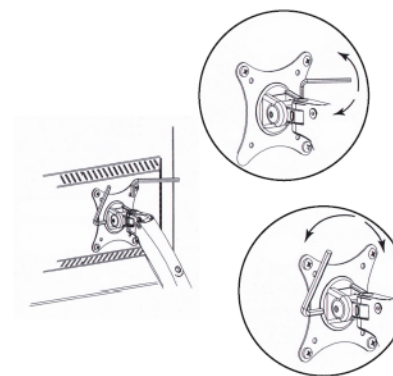


Fig. 7

## Care Instructions

- Please follow the fitting instructions carefully. Not following these instructions can lead to damage of your Monitor Screen as well as the product.
- To clean when required, wipe with a dry cloth.
- Do not clean, paint, engrave or use any chemicals on the product.

## Warranty

- Our Products comes with a 12 month warranty against any manufacturing defects.
- The warranty does not cover damages due to incorrect and inaccurate installation of the product.
- For any guidance or help required with installation, please email us at [help@ebco.in](mailto:help@ebco.in) with your order number and a scanned copy of the invoice.
- The warranty does not cover any usage of the product beyond its intended use and wear and tear in the natural course of product usage.
- The warranty is only valid against an original invoice received at the time of purchase.

## Returns

- All sales are final, except in the case of any manufacturing defects. For any manufacturing defects, we offer easy replacements.

- In the case of transit damage, it rests solely at the discretion of Ebco to process any replacements on a case-by-case basis.
- In case, you receive a defective or damaged product , please contact us within 7 days of receipt. Email us a few photographs with the order number and a scanned copy of the invoice to [help@ebco.in](mailto:help@ebco.in).
- We will assess the damage and revert within 24 hours. We will either arrange to collect the product and send you a replacement free of charge or just send you a replacement part.