



## Safe Drawer - Single



### Quick Overview

- A useful product made especially for office tables.
- Conveniently designed for storage of laptop etc.
- Maximum laptop size: 390 x 270 x 40mm.
- Comes with a cam lock and key.
- Fitted on ball bearing slides.
- Full extension of drawer is 300mm.
- System 32 compatible.
- Easy to fit and use.
- Weight capacity: 12 kilograms.
- **Options: Comes with OR without anti-skid mat inside the drawer.**
- Also see the following related products: [Safe Drawer - Double](#)

### Safe Drawer Single Mat Options

White Without mat

White With Mat

Anthracite Without Mat

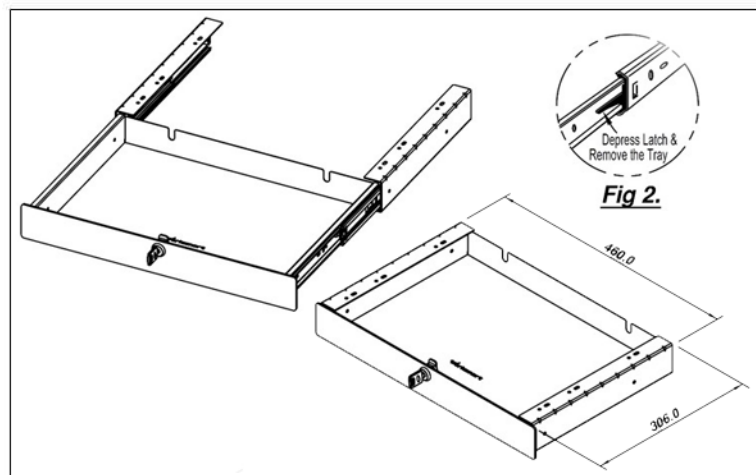
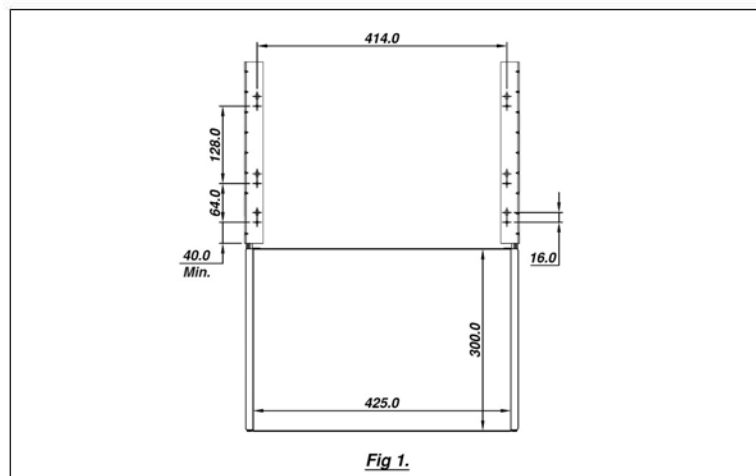
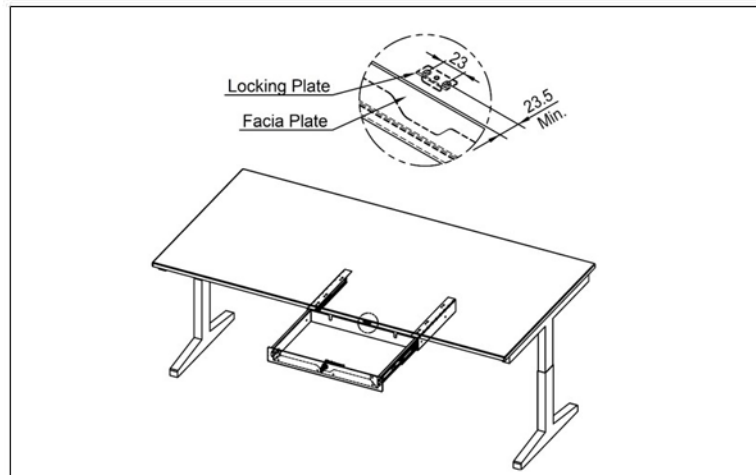
Anthracite With Mat

### Specification

Model	Code	Size(mm)	Finish
Safe Drawer - Single - Anthracite (Without Mat)	SD-TM1 (AT)	Width 470 x Depth 306 x Height 63	Anthracite
Safe Drawer - Single â Anthracite (With Mat)	SDM-TM1 (AT)		
Safe Drawer â Single (Without Mat)	SD-TM1 (WT)	Width 470 x Depth 306 x Height 63	White Texture
Safe Drawer â Single (With Mat)	SDM-TM1 (WT)		

## Fitting Instructions

- Minimum horizontal width required 460mm.
- Drill as per drilling diagram as shown in Fig.1
- Screw the mounting brackets onto the table top.
- Slide in the laptop tray till it automatically latches.
- Laptop tray can be removed by depressing the latches on each side and pulling the tray out as shown in Fig. 2



## Care Instructions

- Please follow the fitting instructions carefully. Not following these instructions can lead to damage of your laptop or other items stored in the drawer as well as the product.
- To clean when required, wipe with a dry cloth or lightly brush dust off with a clean and dry brush.
- Do not clean, paint, engrave or use any chemicals on the product.

## Warranty

- Our Products comes with a 12 month warranty against any manufacturing defects.
- The warranty does not cover damages due to incorrect and inaccurate installation of the product.
- For any guidance or help required with installation, please email us at [help@ebco.in](mailto:help@ebco.in) with your order number and a scanned copy of the invoice.
- The warranty does not cover any usage of the product beyond its intended use and wear and tear in the natural course of product usage.
- The warranty is only valid against an original invoice received at the time of purchase.

## Returns

- All sales are final, except in the case of any manufacturing defects. For any manufacturing defects, we offer easy replacements.
- In the case of transit damage, it rests solely at the discretion of Ebco to process any replacements on a case-by-case basis.
- In case, you receive a defective or damaged product , please contact us within 7 days of receipt. Email us a few photographs with the order number and a scanned copy of the invoice to [help@ebco.in](mailto:help@ebco.in).
- We will assess the damage and revert within 24 hours. We will either arrange to collect the product and send you a replacement free of charge or just send you a replacement part.