



## Kids Furniture Knobs - Colourful (1 box of 4 pieces)



### Quick Overview

- These handles are thoughtfully designed for children's rooms.
- Choose from different types of creative knobs to add fun quotient in children's furniture
- Superior grade plastic, brass inserted for strength
- Perfect for drawers, cabinets, cupboards, etc.
- Enhance décor and add a theme to your kid's room with these stylish looking handles

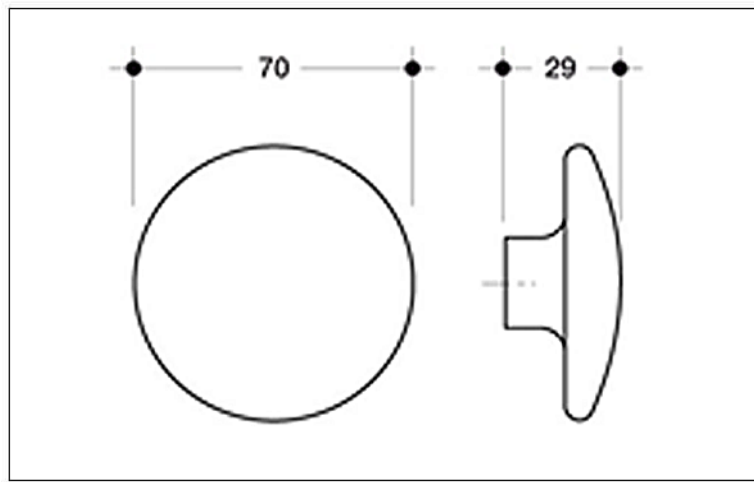
### Color

### Specification

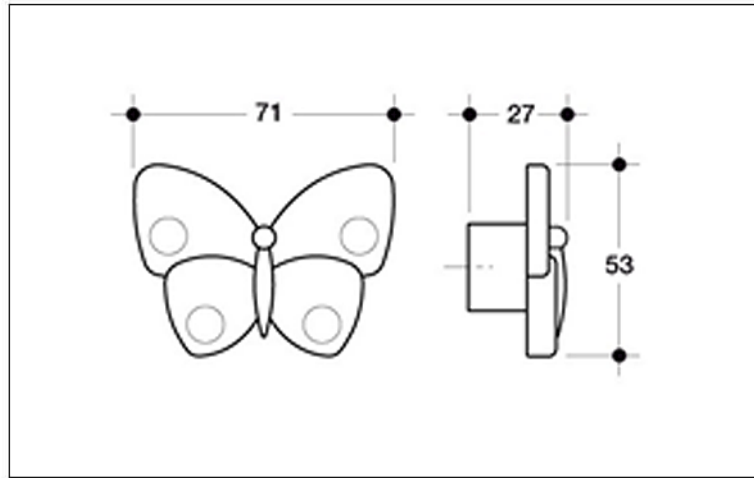
Model	Code	Finish
Kids Furniture Knobs - Colourful - Smiley	KFH-G-WH	White
Kids Furniture Knobs - Colourful - Butterfly	KFH-H-AU	Aqua
Kids Furniture Knobs - Elephant	KFH-I-OR	Orange
Kids Furniture Knobs - Colourful - Fish	KFH-J-OR	Orange

### Fitting Instructions

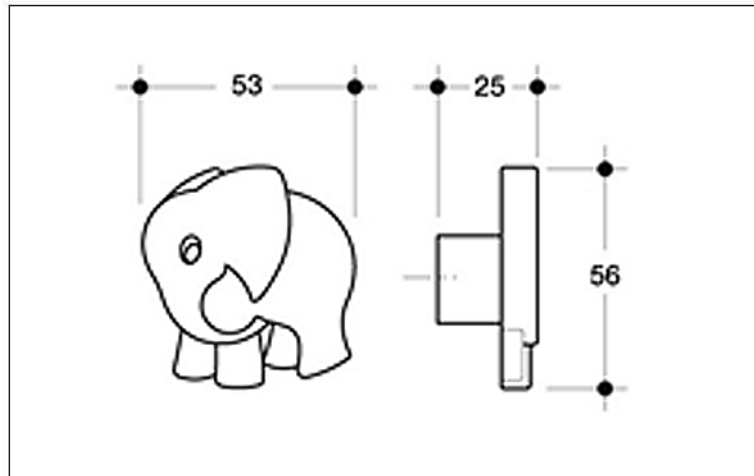
**KFH-G-WH**



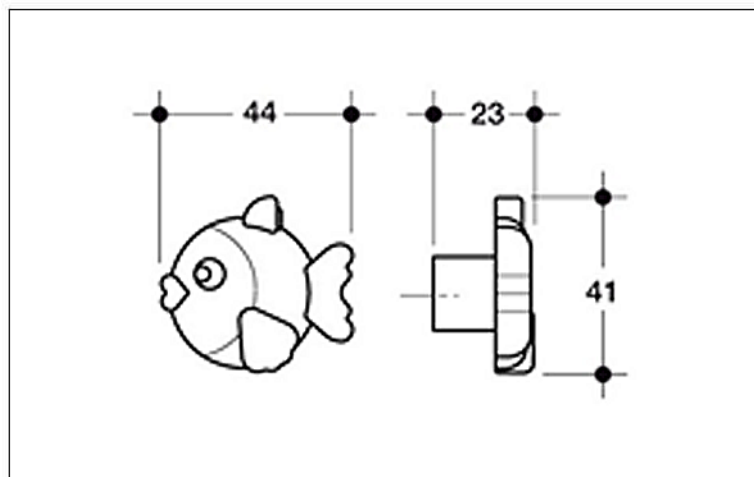
**KFH-H-AU**



**KFH-I-OR**



**KFH-J-OR**



- To clean when required, wipe with a dry cloth.
- Do not clean, paint, engrave or use any chemicals on the product.
- Do not bang, or be rough with the handle beyond its normal intended use.
- If excessive force is used on the handle, this can cause the handle to break.

## Warranty

- Our product comes with a 12 month warranty against any manufacturing defects.
- The warranty does not cover damages due to incorrect and inaccurate installation of the product.
- For any guidance or help required with installation, please email us at [help@ebco.in](mailto:help@ebco.in) with your order number and a scanned copy of the invoice.
- The warranty does not cover any usage of the product beyond its intended use and wear and tear in the natural course of product usage.
- The warranty is only valid against an original invoice received at the time of purchase.

## Returns

- All sales are final, except in the case of any manufacturing defects. For any manufacturing defects, we offer easy replacements.
- In the case of transit damage, it rests solely at the discretion of Ebco to process any replacements on a case-by-case basis.
- In case, you receive a defective or damaged product , please contact us within 7 days of receipt. Email us a few photographs with the order number and a scanned copy of the invoice to [help@ebco.in](mailto:help@ebco.in).
- We will assess the damage and revert within 24 hours. We will either arrange to collect the product and send you a replacement free of charge or just send you a replacement part.