

## Safety Door Spacer (1 box of 5 units)



### Quick Overview

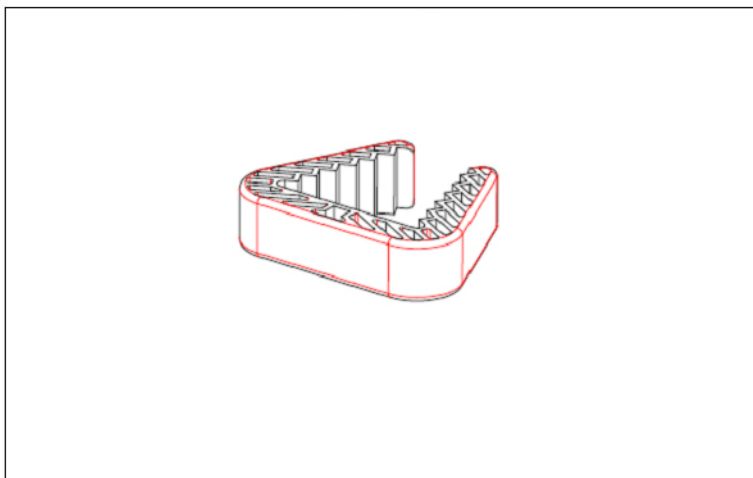
- Prevents fingers of children from getting trapped or getting locked inside the room.
- Easy to insert on door edge at any height, which stays out of reach from children
- For door thickness from 25-55mm
- **Price below is for 1 box of 5 units**

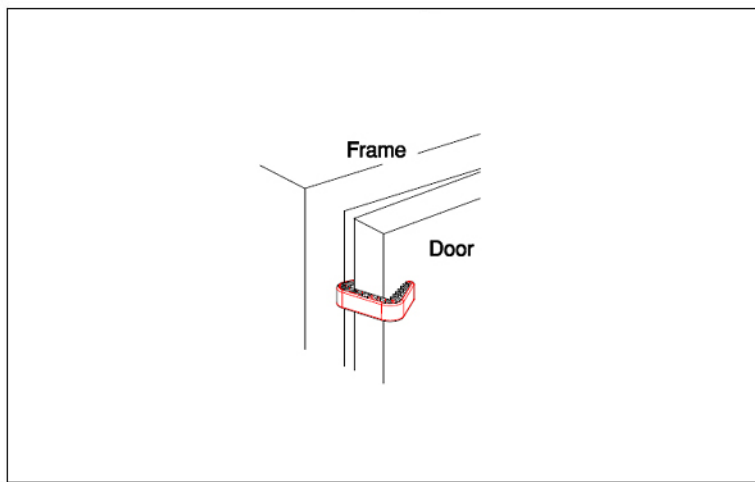
### Specification

| Model | Code | Size | Finish |
|-------|------|------|--------|
|-------|------|------|--------|

|                                  |              |       |
|----------------------------------|--------------|-------|
| Safety Door Spacer SDS 2560 (WH) | 88 x 70 x 22 | White |
|----------------------------------|--------------|-------|

### Fitting Instructions





## Care Instructions

- Do not expose to water.

## Warranty

- Our product comes with a 12 month warranty against any manufacturing defects.
- The warranty does not cover damages due to incorrect and inaccurate installation of the product.
- For any guidance or help required with installation, please email us at [help@ebco.in](mailto:help@ebco.in) with your order number and a scanned copy of the invoice.
- The warranty does not cover any usage of the product beyond its intended use and wear and tear in the natural course of product usage.
- The warranty is only valid against an original invoice received at the time of purchase.

## Returns

- All sales are final, except in the case of any manufacturing defects. For any manufacturing defects, we offer easy replacements.
- In the case of transit damage, it rests solely at the discretion of Ebco to process any replacements on a case-by-case basis.
- In case, you receive a defective or damaged product , please contact us within 7 days of receipt. Email us a few photographs with the order number and a scanned copy of the invoice to [help@ebco.in](mailto:help@ebco.in).
- We will assess the damage and revert within 24 hours. We will either arrange to collect the product and send you a replacement free of charge or just send you a replacement part.