



## Smart Lift Single Leg - Gas Lift - Center Pole (with table top)



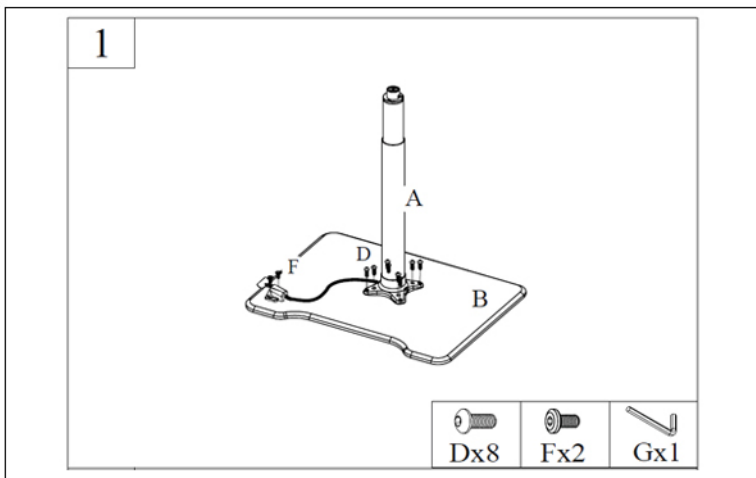
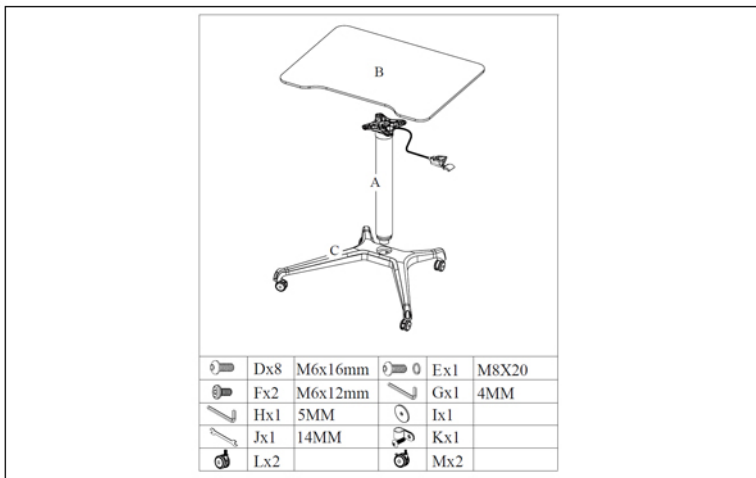
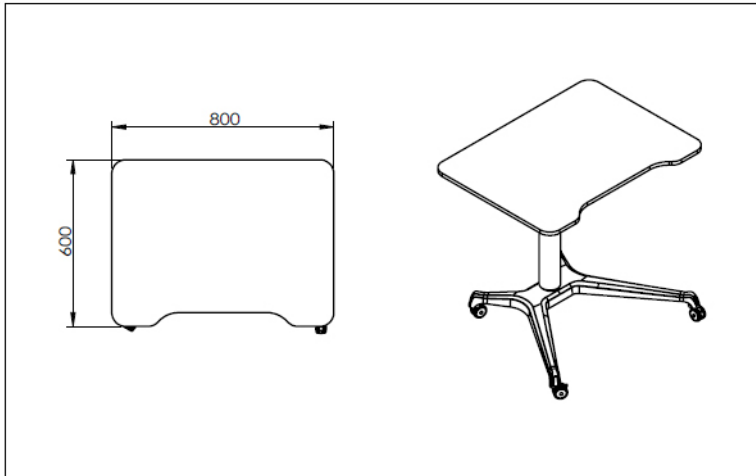
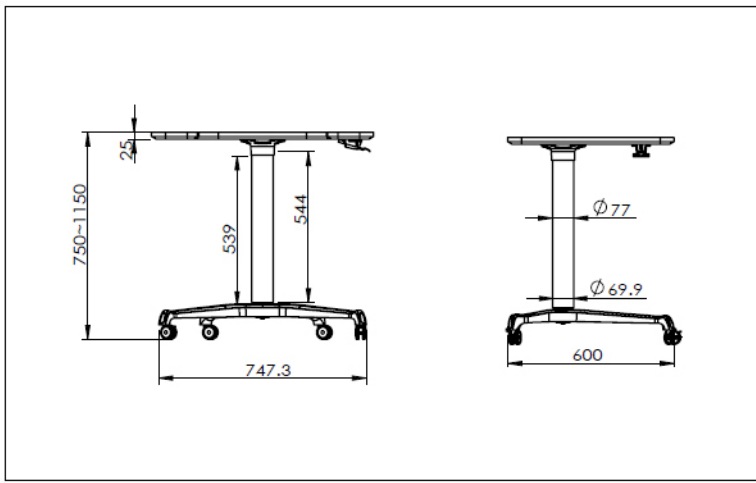
### Quick Overview

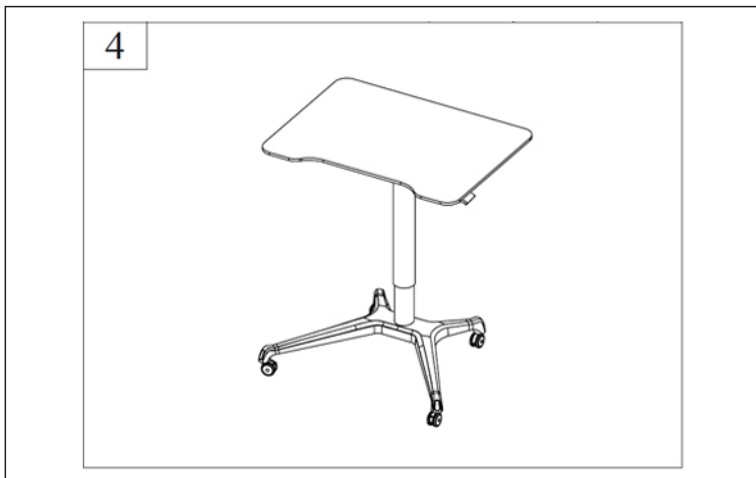
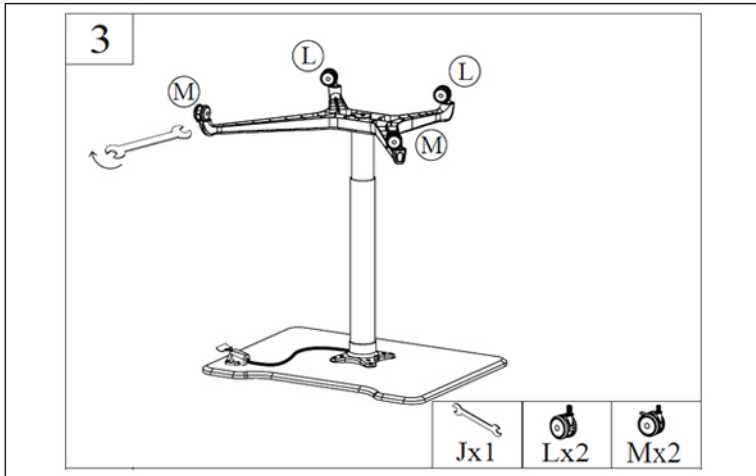
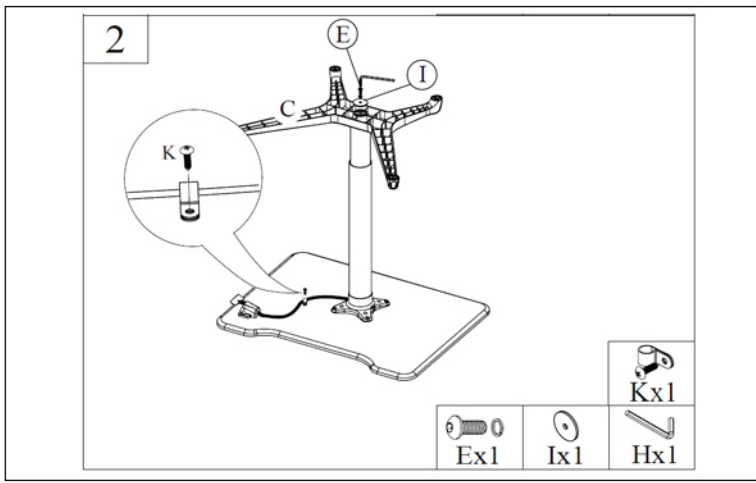
- The height of your worktop should be set according to your height such that you work without reaching or bending; forearms must be parallel to the floor; head, neck and wrists should always be relaxed and not forced into any unnatural or stressful position.
- Smart Lift Table Legs allow you to adjust the height of your desk to enable you to sit at a position that is most comfortable for your body, or stand which increases blood circulation and reduces fatigue.
- Ergonomically designed to enable easy installation and comfortable use.
- This compact single pole height adjustable desk is perfect for multiple applications at home, in hospitals, meeting rooms etc.
- Using gas lift technology, these desks are easy to use and are height adjustable with a simple press of a hand lever
- Comes with table top
- The height of the table can be adjusted from 760mm to 1150mm (stroke of 390mm) Speed: 200mm/s
- Load Capacity:
  - Dynamic - 8kg
  - Static - 50kg
- Dimensions:
  - Table Top - 800mm x 600mm x 25mm
  - Frame Size - (W) 618mm, (D) 545mm
- Colour:
  - Mechanism - Silver
  - Table Top - MDF

### Specification

Model	Code	Height (mm)	Table Top Size (mm)	Speed	Capacity	Finish
Smart Lift Single Leg " Gas Lift Centre Pole (with table top)	SL2 GTT-CP (SL)	760 - 1150	800 x 600 x 25	200 mm/s	Dynamic: 8 kg Static: 50 kg	Mechanism - Silver Table Top - MDF

### Fitting Instructions



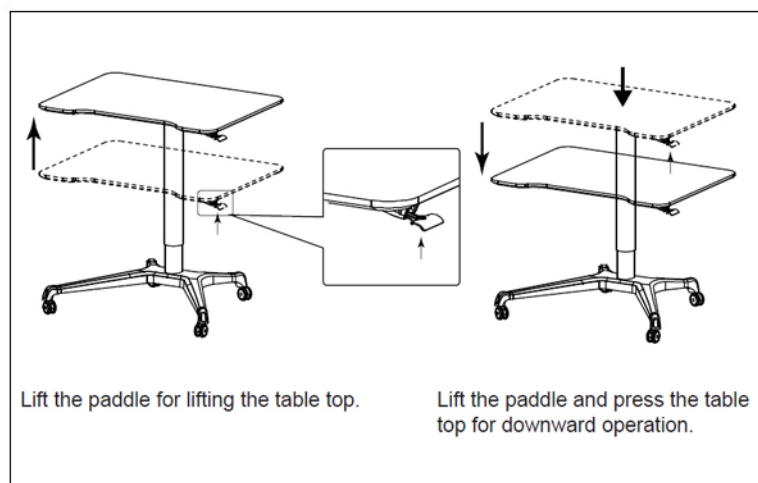


### Operating Manual

< 8KG



Attention: it is recommended not to exceed a maximum of 8KG on desk top to allow for easy lifting.



## Care Instructions

- Do not overload the desk.
- Do not assemble with a different table top than what is supplied with the product.

## Caution:

- In certain cases, the desk may not lift by itself if overloaded or the temperature in the room is very low. Please pull gently upwards or remove excess weight.
- Desks may tip over if loaded asymmetrically. Please do not allow children under the age of 15 to operate the desks.

## Warranty

- Our product comes with a 12 month warranty against any manufacturing defects.
- The warranty does not cover damages due to incorrect and inaccurate installation of the product.
- For any guidance or help required with installation, please email us at [help@ebco.in](mailto:help@ebco.in) with your order number and a scanned copy of the invoice.
- The warranty does not cover any usage of the product beyond its intended use and wear and tear in the natural course of product usage.
- The warranty is only valid against an original invoice received at the time of purchase.

## Returns

- All sales are final, except in the case of any manufacturing defects. For any manufacturing defects, we offer easy replacements.
- In the case of transit damage, it rests solely at the discretion of Ebco to process any replacements on a case-by-case basis.
- In case, you receive a defective or damaged product, please contact us within 7 days of receipt. Email us a few photographs with the order number and a scanned copy of the invoice to [help@ebco.in](mailto:help@ebco.in).
- We will assess the damage and revert within 24 hours. We will either arrange to collect the product and send you a replacement free of charge or just send you a replacement part.