



Smart Lift Single Leg - Gas Lift - Side Pole (with table top)



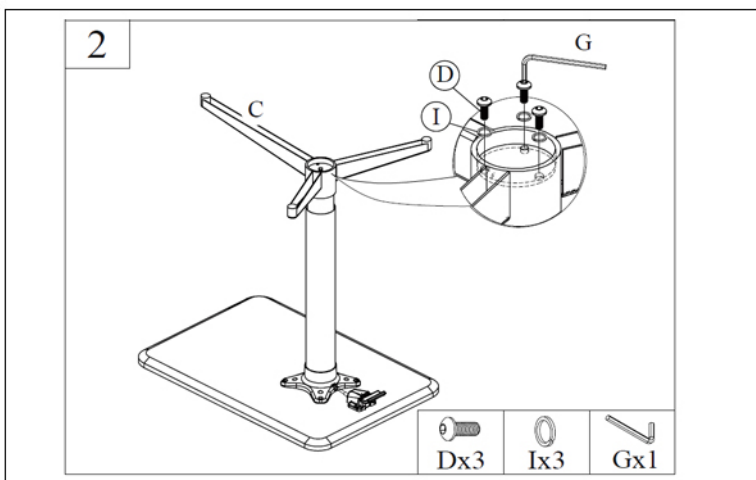
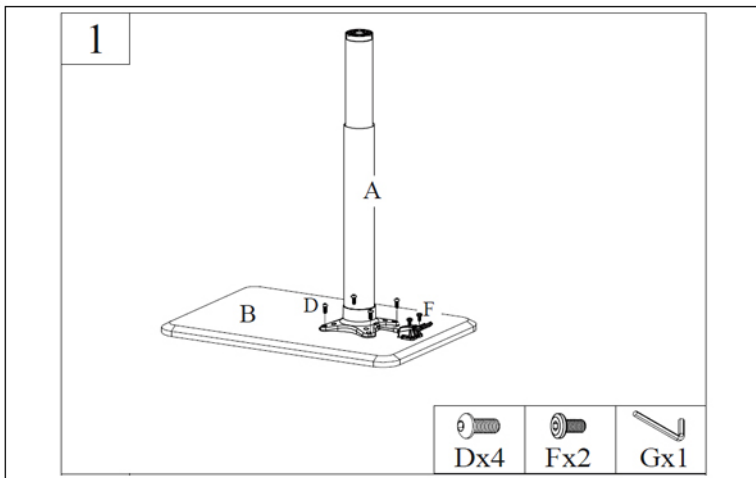
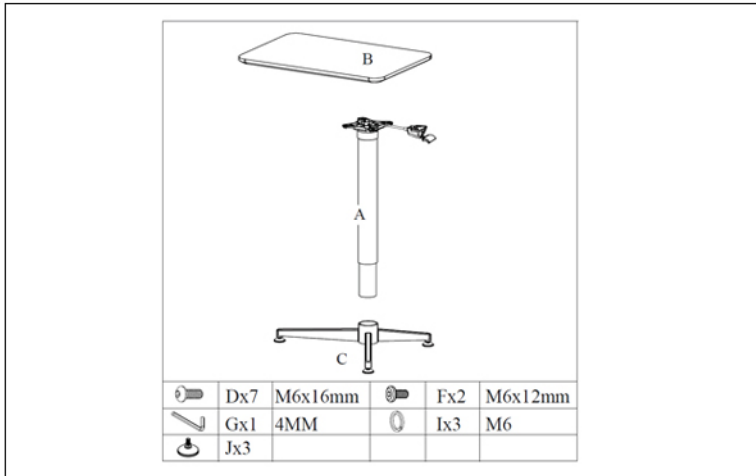
Quick Overview

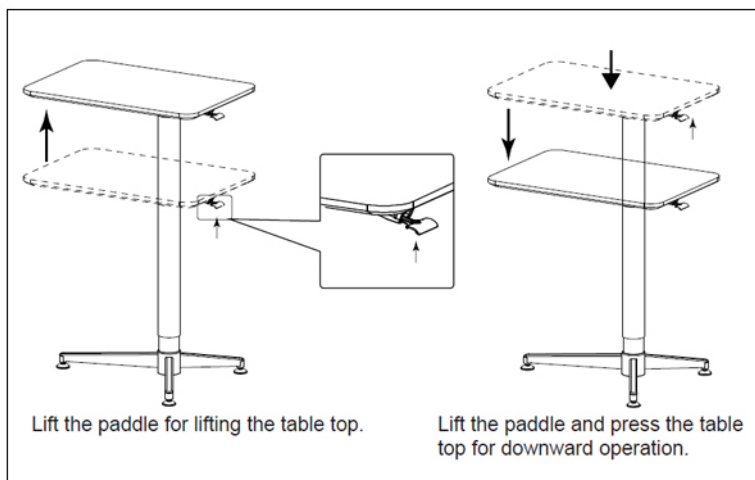
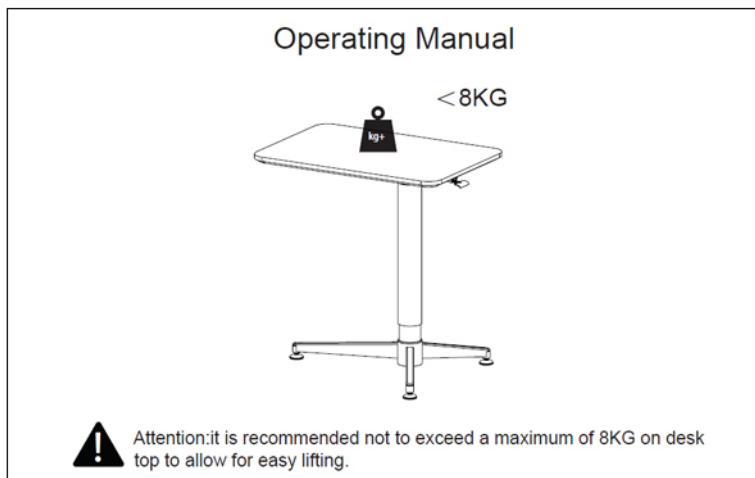
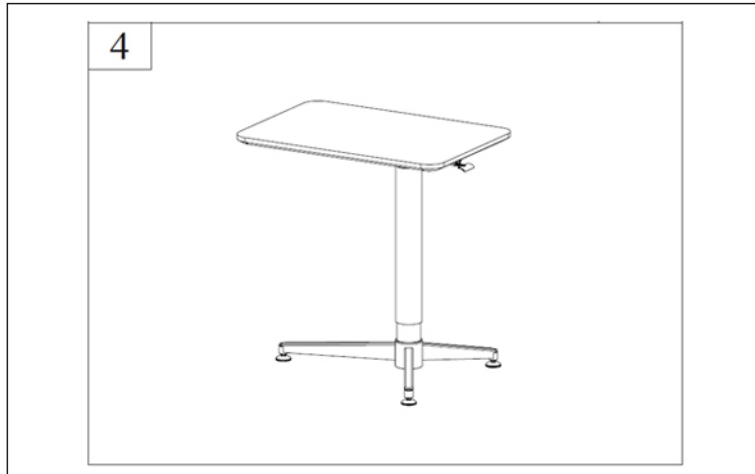
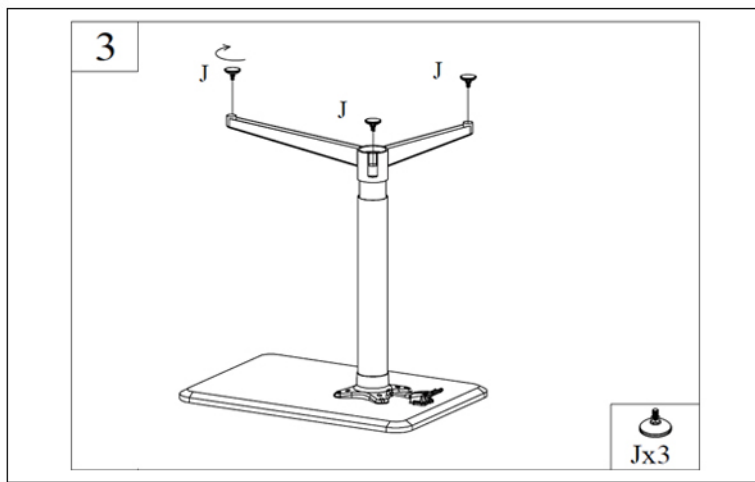
- The height of your worktop should be set according to your height such that you work without reaching or bending; forearms must be parallel to the floor; head, neck and wrists should always be relaxed and not forced into any unnatural or stressful position.
- Smart Lift Table Legs allow you to adjust the height of your desk to enable you to sit at a position that is most comfortable for your body, or stand which increases blood circulation and reduces fatigue.
- Ergonomically designed to enable easy installation and comfortable use.
- This compact single pole height adjustable desk is perfect for multiple applications at home, in hospitals, meeting rooms etc.
- Using gas lift technology, these desks are easy to use and are height adjustable with a simple press of a hand lever
- Comes with table top.
- The height of the table can be adjusted from 680mm to 1070mm (stroke of 390mm)
- Speed: 200mm/s.
- Load Capacity:
 - Dynamic - 8kg
 - Static - 50kg
- Dimensions:
 - Table Top - 700mm x 480mm x 25mm
 - Frame Size - (W) 618mm, (D) 545mm
- Colour:
 - Mechanism - Silver
 - Table Top - MDF

Specification

Model	Code	Height (mm)	Table Top Size (mm)	Speed	Capacity	Finish
Smart Lift Single Leg " Gas Lift Side Pole (with table top)	SL1 GTT- SP (SL)	680 -1070	700 x 480 x 25	200 mm/s	Dynamic: 8 kg Static: 50 kg	Mechanism - Silver Table Top - MDF

Fitting Instructions





Care Instructions

- Do not overload the desk.
- Do not assemble with a different table top than what is supplied with the product.

Caution:

- In certain cases, the desk may not lift by itself if overloaded or the temperature in the room is very low. Please pull gently upwards or remove excess weight.
- Desks may tip over if loaded asymmetrically. Please do not allow children under the age of 15 to operate the desks..

Warranty

- Our product comes with a 12 month warranty against any manufacturing defects.
- The warranty does not cover damages due to incorrect and inaccurate installation of the product.
- For any guidance or help required with installation, please email us at help@ebco.in with your order number and a scanned copy of the invoice.
- The warranty does not cover any usage of the product beyond its intended use and wear and tear in the natural course of product usage.
- The warranty is only valid against an original invoice received at the time of purchase.

Returns

- All sales are final, except in the case of any manufacturing defects. For any manufacturing defects, we offer easy replacements.
- In the case of transit damage, it rests solely at the discretion of Ebco to process any replacements on a case-by-case basis.
- In case, you receive a defective or damaged product , please contact us within 7 days of receipt. Email us a few photographs with the order number and a scanned copy of the invoice to help@ebco.in.
- We will assess the damage and revert within 24 hours. We will either arrange to collect the product and send you a replacement free of charge or just send you a replacement part.