



Smart Lift Table Legs - Gas Lift (with table top)



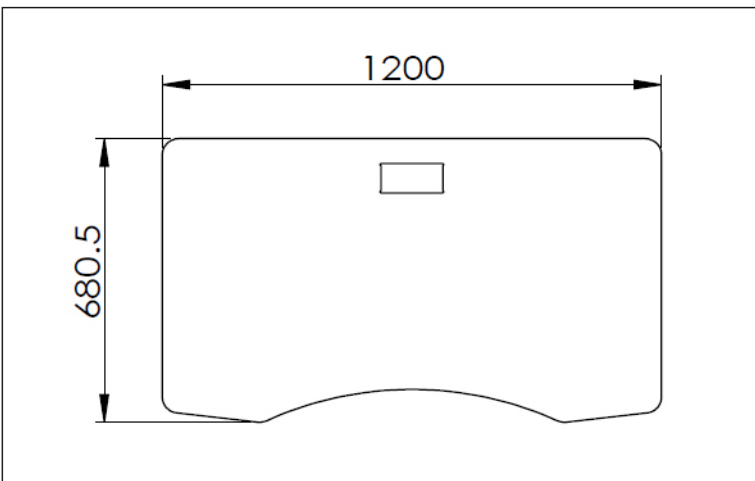
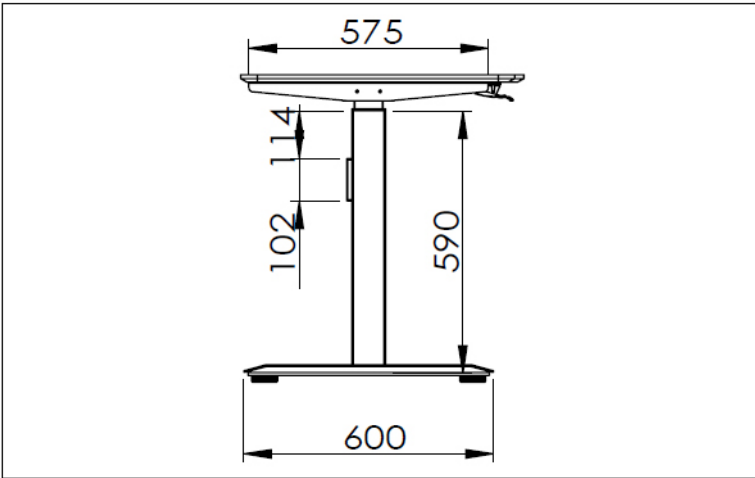
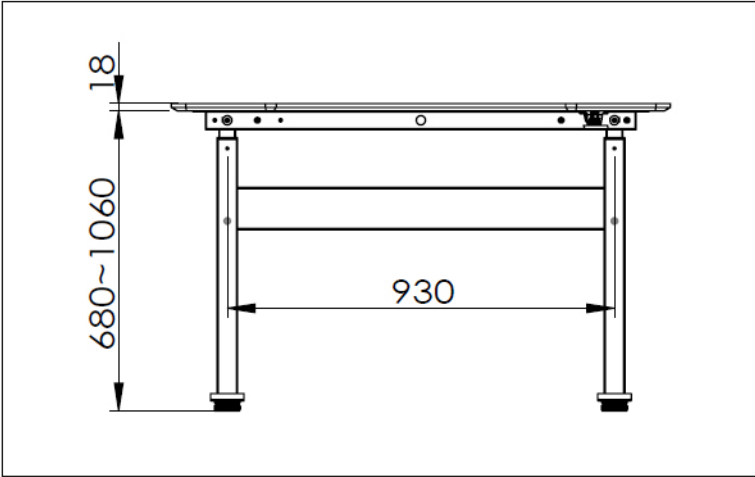
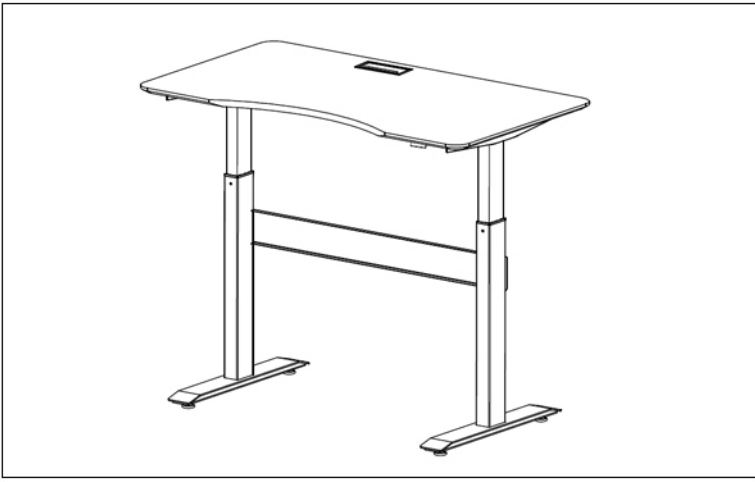
Quick Overview

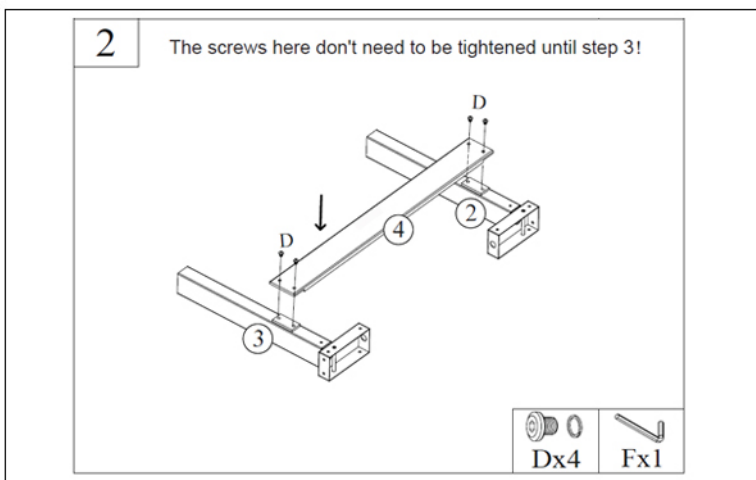
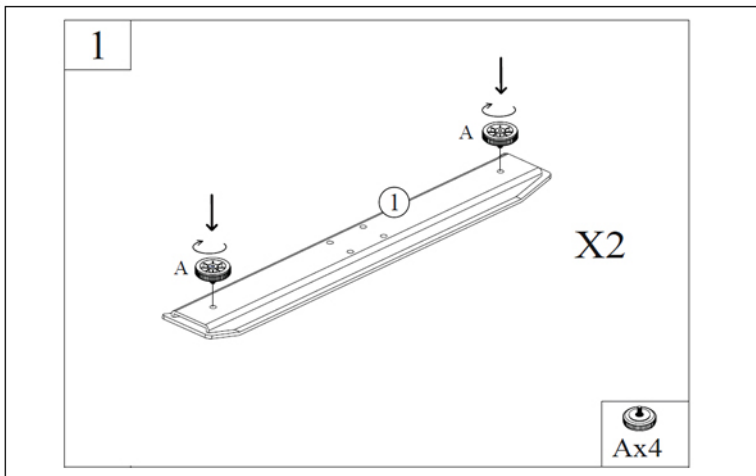
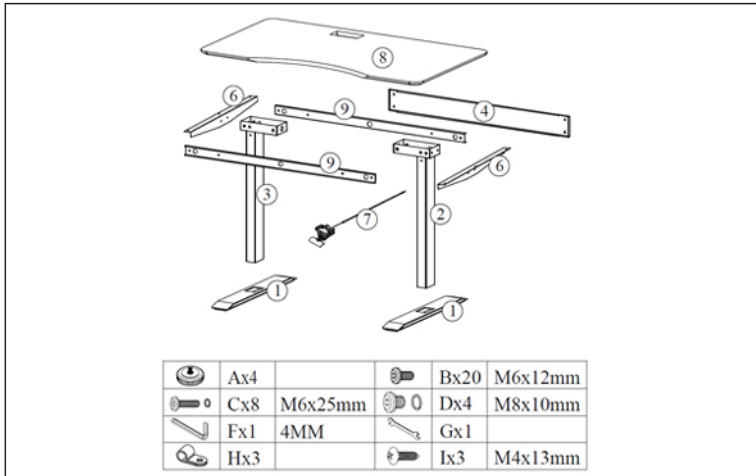
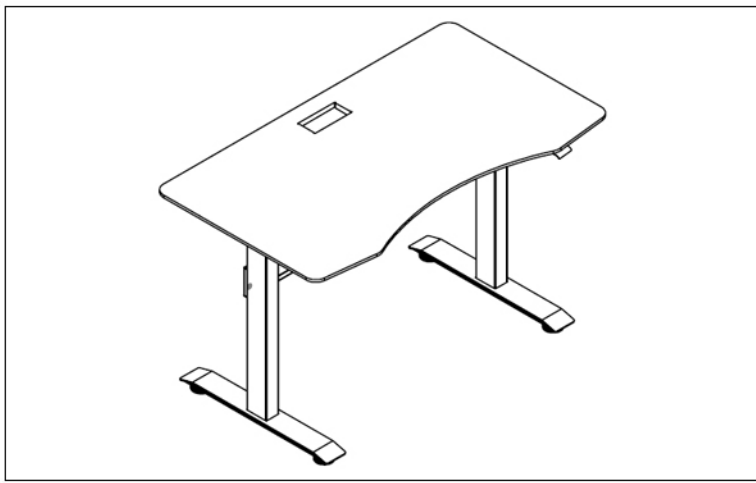
- The height of your worktop should be set according to your height such that you work without reaching or bending; forearms must be parallel to the floor; head, neck and wrists should always be relaxed and not forced into any unnatural or stressful position.
- Smart Lift Table Legs allow you to adjust the height of your desk to enable you to sit at a position that is most comfortable for your body, or stand which increases blood circulation and reduces fatigue.
- Ergonomically designed to enable easy installation and comfortable use.
- Using gas lift technology, these desks are easy to use and are height adjustable with a simple press of a hand lever.
- Ideal for offices, institutional and home applications.
- Comes with table top.
- The height of the table can be adjusted from 700mm to 1080mm (stroke of 380mm).
- Speed: 200mm/s.
- Load Capacity:
 - Dynamic - 15kg
 - Static - 100kg
- Dimensions:
 - Table Top - 1200mm x 680mm x 18mm
 - Frame Size - (W) 1100mm, (D) 600mm
- Colour:
 - Mechanism - Silver
 - Table Top - MDF

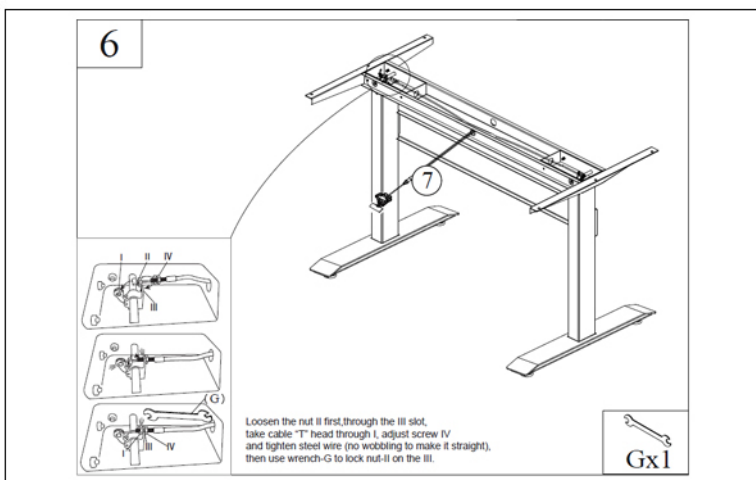
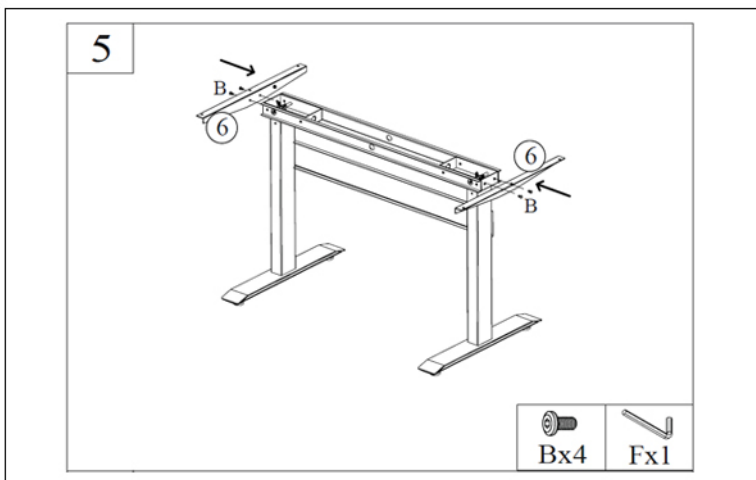
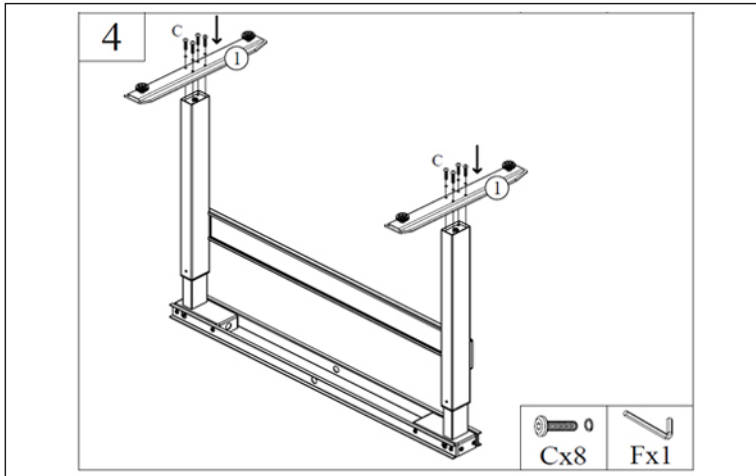
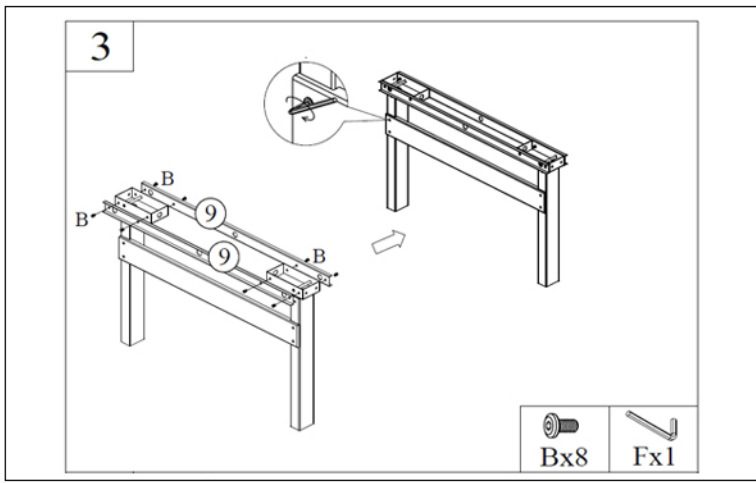
Specification

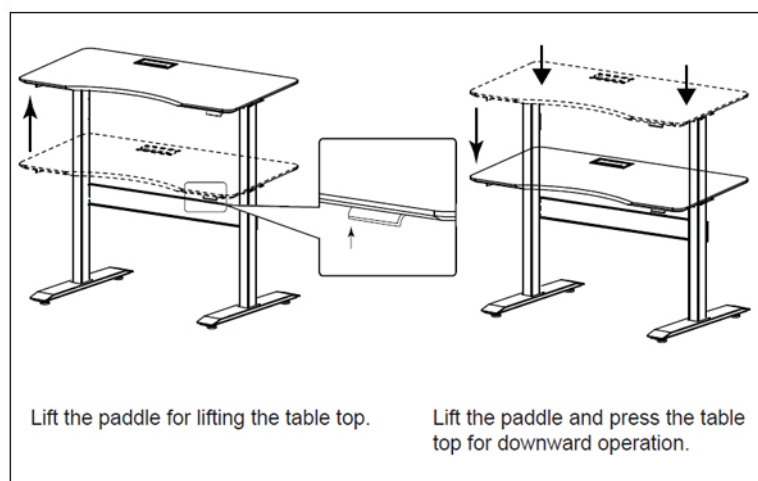
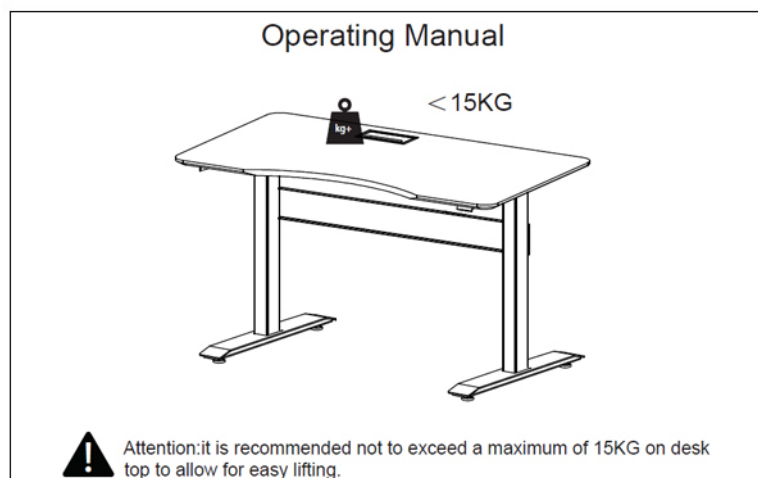
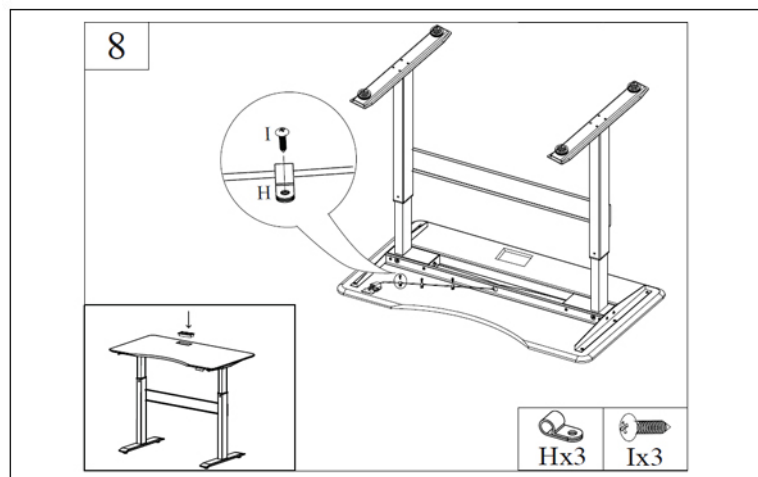
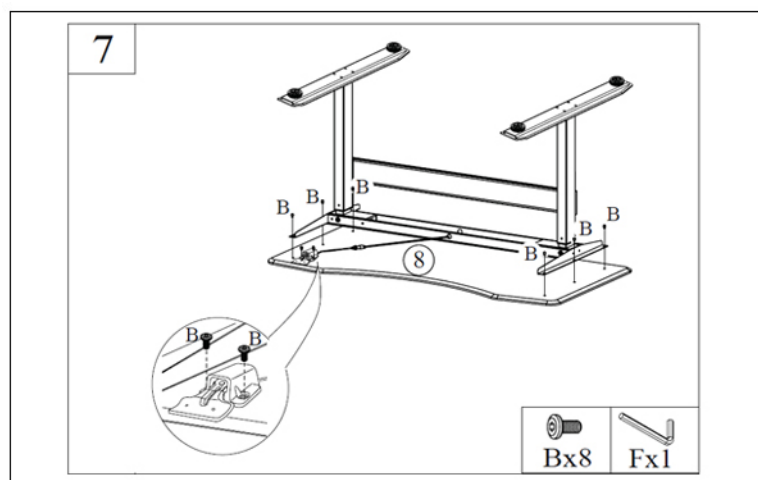
| Model | Code | Height (mm) | Table Top Size (mm) | Speed | Capacity | Finish |
|---|----------------|-------------|---------------------|----------|----------------------------------|---------------------------------------|
| Smart Lift Table Legs - Gas Lift (with table top) | SLTL2 GTT (SL) | 700 - 1080 | 1200 x 680 x 18 | 200 mm/s | Dynamic: 15 kg Static: 100 kg | Mechanism - Silver Table Top - MDF |

Fitting Instructions









Care Instructions

- Do not overload the desk.
- Do not assemble with a different table top than what is supplied with the product.

Caution:

- The maximum static loading weight is 100 kilograms and the dynamic loading weight is 15 kilograms. In certain cases, the desk may not lift by itself if overloaded or the temperature in the room is very low. Please pull gently upwards or remove excess weight.
- Desks may tip over if loaded asymmetrically. Please do not allow children under the age of 15 to operate the desks.

Warranty

- Our product comes with a 12 month warranty against any manufacturing defects.
- The warranty does not cover damages due to incorrect and inaccurate installation of the product.
- For any guidance or help required with installation, please email us at help@ebco.in with your order number and a scanned copy of the invoice.
- The warranty does not cover any usage of the product beyond its intended use and wear and tear in the natural course of product usage.
- The warranty is only valid against an original invoice received at the time of purchase.

Returns

- All sales are final, except in the case of any manufacturing defects. For any manufacturing defects, we offer easy replacements.
- In the case of transit damage, it rests solely at the discretion of Ebco to process any replacements on a case-by-case basis.
- In case, you receive a defective or damaged product , please contact us within 7 days of receipt. Email us a few photographs with the order number and a scanned copy of the invoice to help@ebco.in.
- We will assess the damage and revert within 24 hours. We will either arrange to collect the product and send you a replacement free of charge or just send you a replacement part.