



## AC Mounting Bracket with Anchor Kit



### Quick Overview

- Ideal for mounting AC outdoor units.
- Adjustments provided for different sizes of AC out door units.
- Bolts, Washers & Nuts provided are made out of stainless steel.
- Maximum load capacity â€“ 120 kilograms.

### Caution:

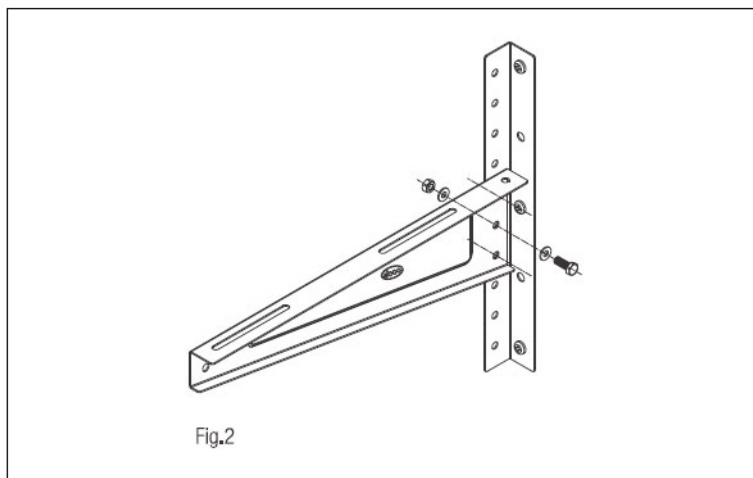
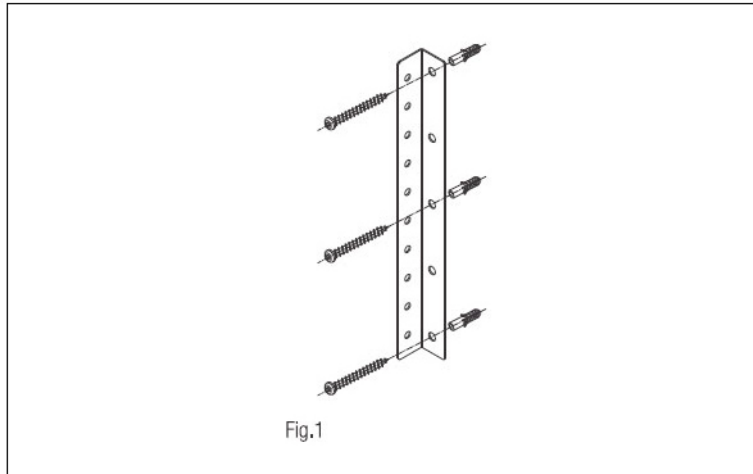
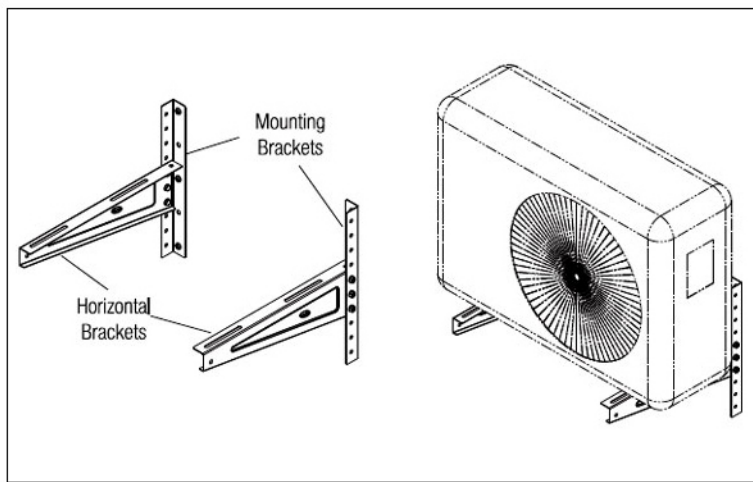
- Do not overload
- Do not use to mount any other items except outdoor units of ACs unless. Incorrect usage of this product can be dangerous.
- Avoid the disassembly of the unit.

### Specification

Model	Code	Size (mm)	Finish	Pcs / Set
AC Mounting Bracket	ACMB 1 (WT)	500	White Texture	Set
Anchor Kit	ACMB-AK (ZY) -		Zinc Plated Yellow	Set of 4

### Fitting Instructions

- The wall onto which the mounting plate is attached must be of solid wood, brick work or concrete only. Do not mount on plywood.
- Fix the mounting bracket on to the wall using screws & wall plugs as shown in Fig. 1.
- Fit the horizontal bracket onto the mounting bracket at desired height with the bolts, washers & nuts provided as shown in Fig. 2.
- Place the AC out door unit on the horizontal Bracket & fix it. AC out door unit can be adjusted within the slots provided on horizontal bracket.



## Care Instructions

- To clean when required, wipe with a dry cloth.
- Do not clean, paint, engrave or use any chemicals on the product.

## Warranty

- Our product comes with a 12 month warranty against any manufacturing defects.
- The warranty does not cover damages due to incorrect and inaccurate installation of the product.
- For any guidance or help required with installation, please email us at [help@ebco.in](mailto:help@ebco.in) with your order number and a scanned copy of the invoice.
- The warranty does not cover any usage of the product beyond its intended use and wear and tear in the natural course of product usage.
- The warranty is only valid against an original invoice received at the time of purchase.

## Returns

- All sales are final, except in the case of any manufacturing defects. For any manufacturing defects, we offer easy replacements.
- In the case of transit damage, it rests solely at the discretion of Ebco to process any replacements on a case-by-case basis.
- In case, you receive a defective or damaged product , please contact us within 7 days of receipt. Email us a few photographs with the order number and a scanned copy of the invoice to [help@ebco.in](mailto:help@ebco.in).
- We will assess the damage and revert within 24 hours. We will either arrange to collect the product and send you a replacement free of charge or just send you a replacement

part.