



## Laptop Drawer - Top Mount (with mat)



### Quick Overview

- A useful product made especially for office tables.
- Conveniently designed for storage of laptop etc.
- Maximum laptop size: 390 x 270 x 40mm
- Comes with a cam lock and key.
- Comes with an anti-skid mat inside the drawer.
- Fitted on ball bearing slides.
- Full extension of drawer is 300mm
- System 32 compatible.
- Easy to fit and use.
- Weight capacity: 12 kilograms

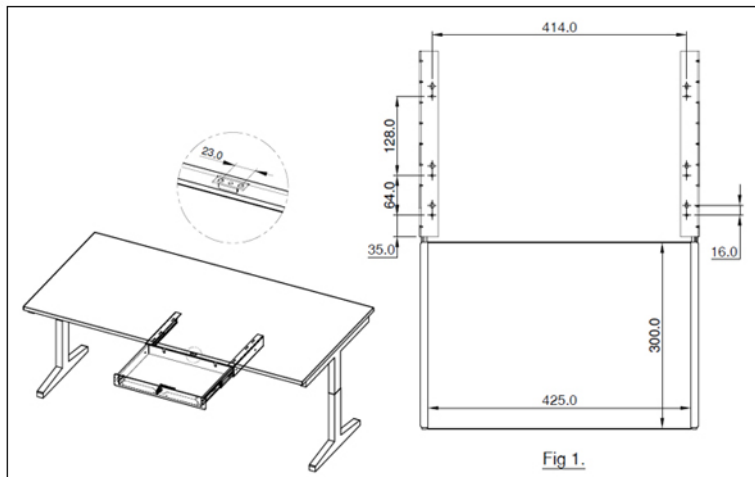
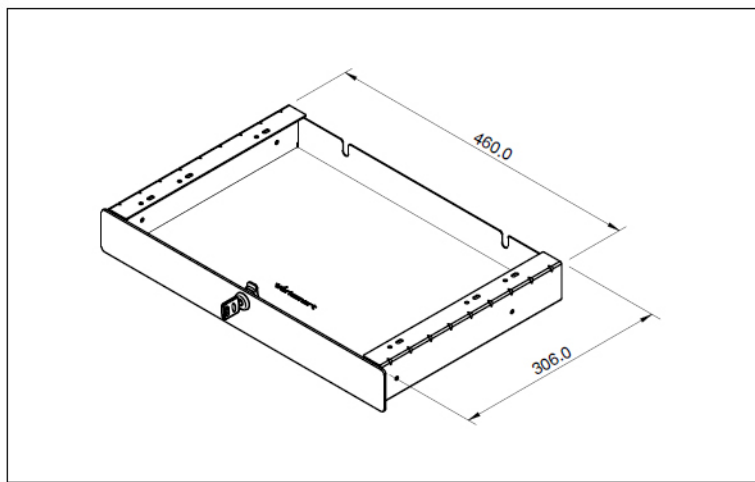
### Specification

Model	Code	Finish
-------	------	--------

Laptop Drawer - Top Mount (With Mat)	LTDM - TM1 (AT)	Anthracite
--------------------------------------	-----------------	------------

### Fitting Instructions

- Minimum horizontal width required 460mm.
- Drill as per drilling diagram as shown in Fig.1
- Screw the mounting brackets onto the table top.
- Slide in the laptop tray till it automatically latches.
- Laptop tray can be removed by depressing the latches on each side and pulling the tray out as shown in Fig. 2



## Care Instructions

- Please follow the fitting instructions carefully. Not following these instructions can lead to damage of your laptop as well as the product.
- To clean when required, wipe with a dry cloth or lightly brush dust off with a clean and dry brush.
- Do not clean, paint, engrave or use any chemicals on the product.

## Warranty

- Our product comes with a 12 month warranty against any manufacturing defects.
- The warranty does not cover damages due to incorrect and inaccurate installation of the product.
- For any guidance or help required with installation, please email us at [help@ebco.in](mailto:help@ebco.in) with your order number and a scanned copy of the invoice.
- The warranty does not cover any usage of the product beyond its intended use and wear and tear in the natural course of product usage.
- The warranty is only valid against an original invoice received at the time of purchase.

## Returns

- All sales are final, except in the case of any manufacturing defects. For any manufacturing defects, we offer easy replacements.
- In the case of transit damage, it rests solely at the discretion of Ebco to process any replacements on a case-by-case basis.
- In case, you receive a defective or damaged product, please contact us within 7 days of receipt. Email us a few photographs with the order number and a scanned copy of the invoice to [help@ebco.in](mailto:help@ebco.in).
- We will assess the damage and revert within 24 hours. We will either arrange to collect the product and send you a replacement free of charge or just send you a replacement part.