



## Electric Box - Flip Up (with 3 Universal Power Sockets + 2 USB Charger)



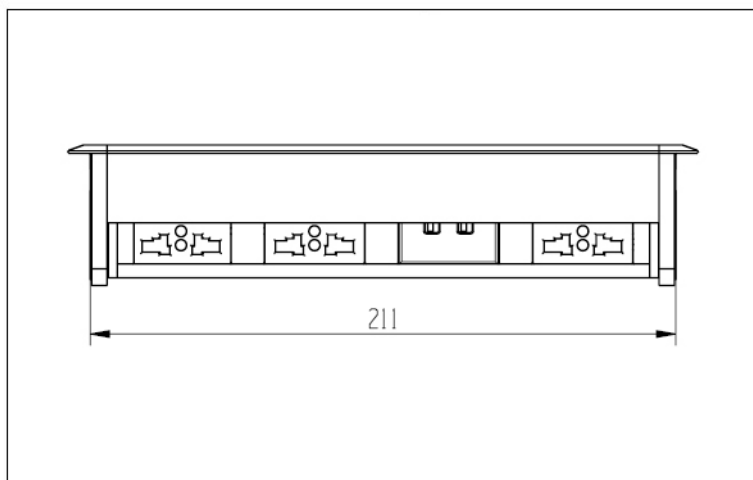
### Quick Overview

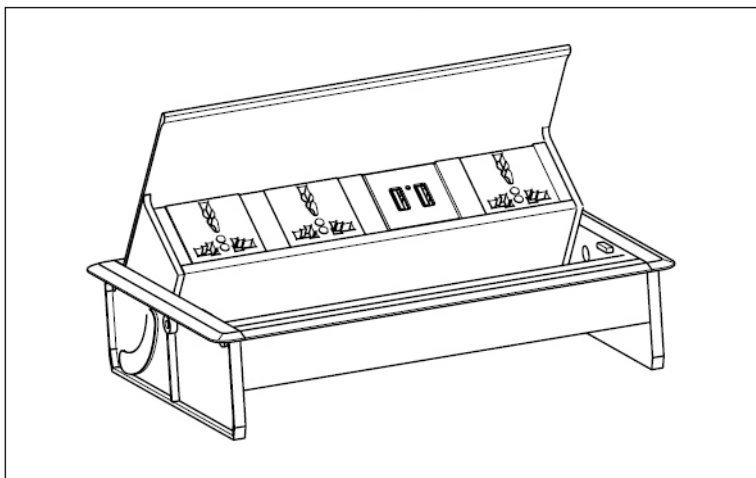
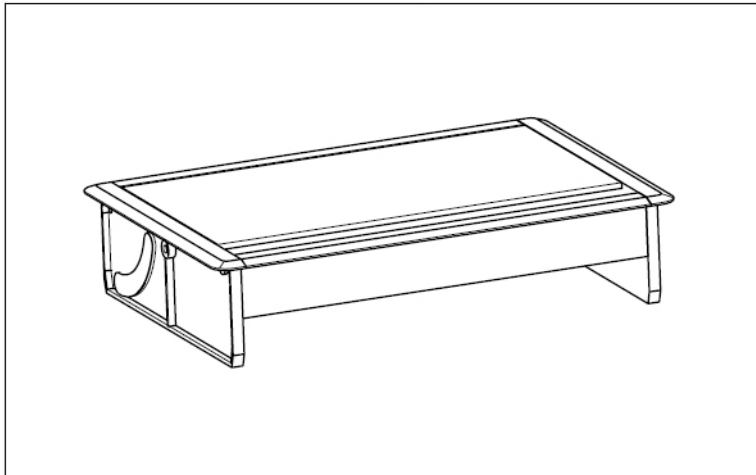
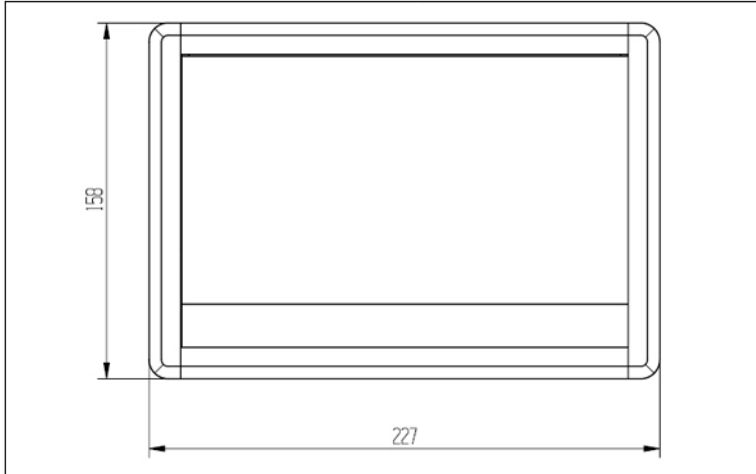
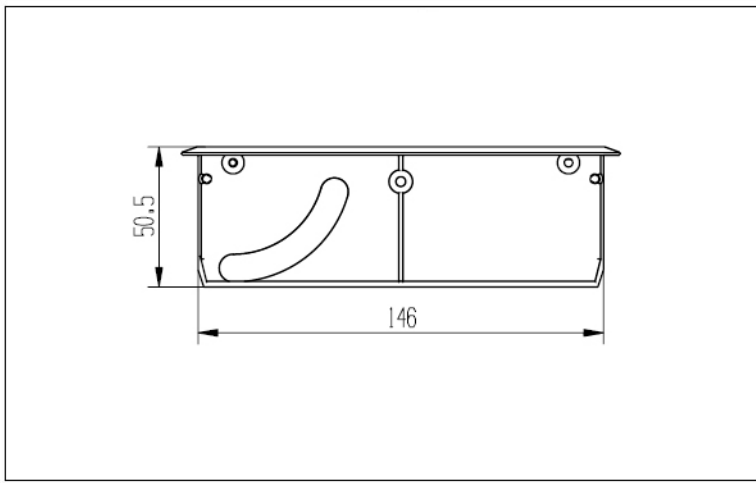
- Unique design with flip up lid that hides sockets when not in use.
- Frees your desk from clutter.
- The unit includes 3 Universal Power Sockets and 2 USB Charger Sockets.
- Ideal for furniture in offices, meeting rooms, institutions etc.
- Dimensions: 228 x 158 x 50mm.
- Desktop cut-out Size: 216 x 150mm.

### Specification

| Model   | Code         | Dimensions                           | Finish         |
|---|--------------|--------------------------------------|----------------|
| Electric Box - Flip Up (with 3 Universal Power Sockets + 2 USB Charger) | EBS-FU1 (SL) | 228x158x50mm<br>Hole Size: 216x150mm | Desktop Silver |

### Fitting Instructions





## Care Instructions

- To clean when required, wipe with a dry cloth.
- Do not clean, paint, engrave or use any chemicals on the product.

## Warranty

- Our product comes with a 12 month warranty against any manufacturing defects.
- The warranty does not cover damages due to incorrect and inaccurate installation of the product.

- For any guidance or help required with installation, please email us at [help@ebco.in](mailto:help@ebco.in) with your order number and a scanned copy of the invoice.
- The warranty does not cover any usage of the product beyond its intended use and wear and tear in the natural course of product usage.
- The warranty is only valid against an original invoice received at the time of purchase.

## Returns

- All sales are final, except in the case of any manufacturing defects. For any manufacturing defects, we offer easy replacements.
- In the case of transit damage, it rests solely at the discretion of Ebco to process any replacements on a case-by-case basis.
- In case, you receive a defective or damaged product , please contact us within 7 days of receipt. Email us a few photographs with the order number and a scanned copy of the invoice to [help@ebco.in](mailto:help@ebco.in).
- We will assess the damage and revert within 24 hours. We will either arrange to collect the product and send you a replacement free of charge or just send you a replacement part.