



Shelf Tray



Quick Overview

- A multi-utility shelf tray that can be used in kitchens (waste bin shutters, pantry unit shutters, overhead shutters, on the mid-way wall etc.), Wardrobes (for cosmetics, perfumes etc.) in bathroom cabinets & more.
- This tray can be fitted on to the inner face of any shutter.
- Designed for easy accessibility, clip-on mounting.
- Manufactured of durable plastic, as a long life.
- System 32 compatible.
- Easy to fit and use.
- Easy to clip-on and release function which allows the trays to be taken out for cleaning.
- Colours available: White and Mocha
- **Price below is for set of 2 pieces.**

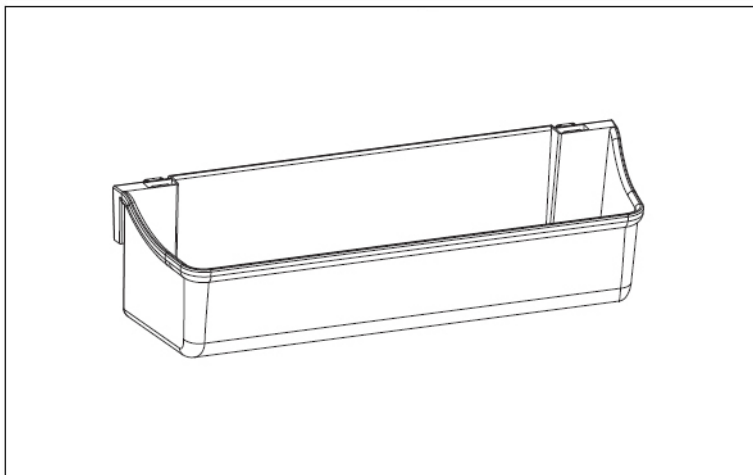
Color

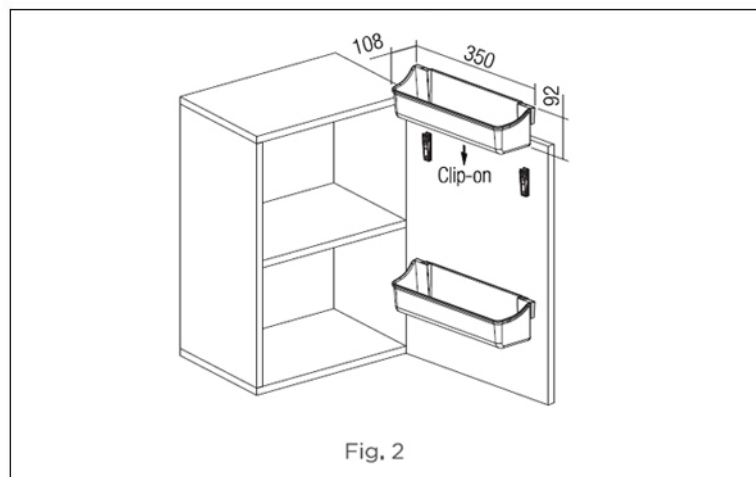
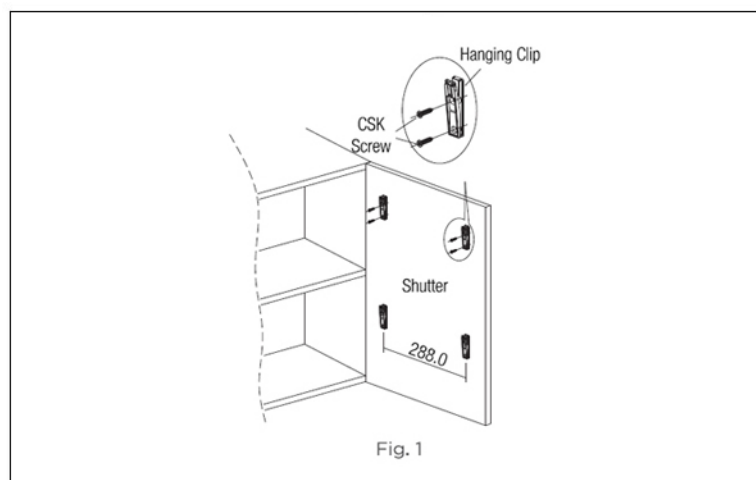
Specification

Model	Code	Size (mm)	Finish
Shelf Tray	ST288 (WH)	350 x 180 x 92	White
	ST288 (MC)		Mocha

Fitting Instructions

- Fit the hanging clip onto the inner face of the shutter with CSK screws provided and hang the tray onto the hanger clip as shown in Fig. 1 & Fig. 2.





Care Instructions

- Wash and wipe dry, store in a dry area.
- Do not paint, engrave or use any chemicals on the product.

Warranty

- Our products come with a 12 month warranty against any manufacturing defects.
- The warranty does not cover damages due to incorrect and inaccurate installation of the product.
- For any guidance or help required with installation, please email us at help@ebco.in with your order number and a scanned copy of the invoice.
- The warranty does not cover any usage of the product beyond its intended use and wear and tear in the natural course of product usage.
- The warranty is only valid against an original invoice received at the time of purchase.

Returns

- All sales are final, except in the case of any manufacturing defects. For any manufacturing defects, we offer easy replacements.
- In the case of transit damage, it rests solely at the discretion of Ebco to process any replacements on a case-by-case basis.
- In case, you receive a defective or damaged product , please contact us within 7 days of receipt. Email us a few photographs with the order number and a scanned copy of the invoice to help@ebco.in.
- We will assess the damage and revert within 24 hours. We will either arrange to collect the product and send you a replacement free of charge or just send you a replacement part.