



## Safety Corner Bumper R & S (1 box of 10 units)



### Quick Overview

- Prevents sharp corners from injuring adults and children.
- Easy to peel off & apply.
- Gentle and easy to remove when not in use.
- Available in two models - spherical and rectangular
- **Price below is for 1 box of 10 units.**

### Safety Corner Bumper R & S Size

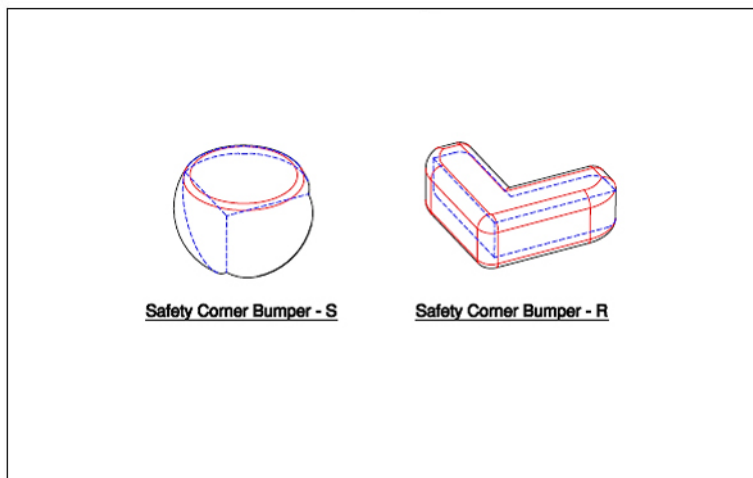
41 x 41 x 15

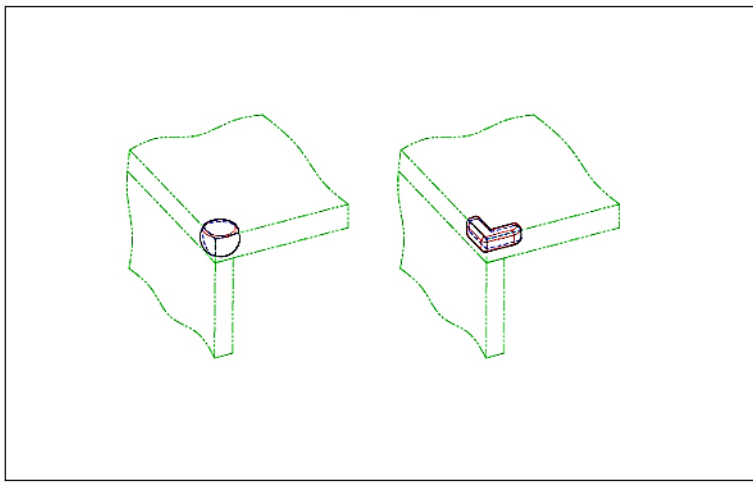
35 x 35 x 25

### Specification

Model	Code	Size (mm)	Finish
Safety Corner Bumper R	SCB - R 41 (CL)	41 x 41 x 15	Clear
Safety Corner Bumper S	SCB - S 35 (CL)	35 x 35 x 25	

### Fitting Instructions





## Care Instructions

- Clean and dry surface thoroughly before applying â€™ product will NOT stick to surfaces with dirt, dust or grime.
- Do not expose to water.

## Warranty

- Our products come with a 12 month warranty against any manufacturing defects.
- The warranty does not cover damages due to incorrect and inaccurate installation of the product.
- For any guidance or help required with installation, please email us at [help@ebco.in](mailto:help@ebco.in) with your order number and a scanned copy of the invoice.
- The warranty does not cover any usage of the product beyond its intended use and wear and tear in the natural course of product usage.
- The warranty is only valid against an original invoice received at the time of purchase.

## Returns

- All sales are final, except in the case of any manufacturing defects. For any manufacturing defects, we offer easy replacements.
- In the case of transit damage, it rests solely at the discretion of Ebco to process any replacements on a case-by-case basis.
- In case, you receive a defective or damaged product , please contact us within 7 days of receipt. Email us a few photographs with the order number and a scanned copy of the invoice to [help@ebco.in](mailto:help@ebco.in).
- We will assess the damage and revert within 24 hours. We will either arrange to collect the product and send you a replacement free of charge or just send you a replacement part.