



Smart Light Recharge Mini (Surface Mount)



Quick Overview

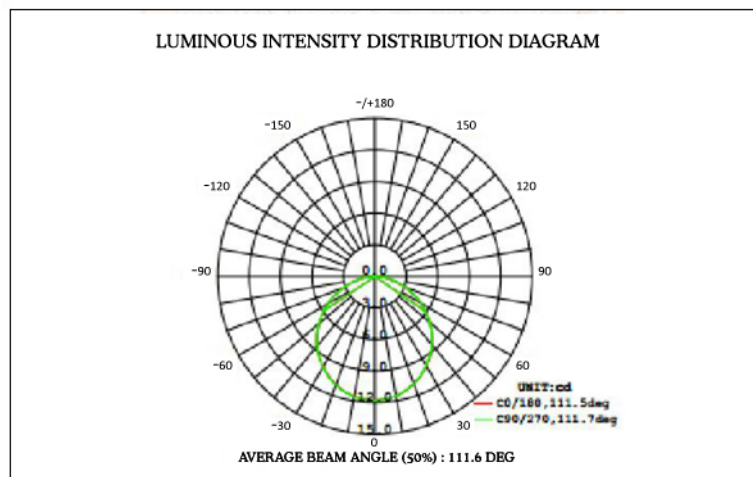
- This is a modern attractive light that is rechargeable with any mini USB charger.
- Easy to use in furniture, mounted on a small round magnet (included) and does not require any wiring.
- Can be used in kitchens, wardrobes, and display units and even as a foot lamp.
- Motion sensor activates the light and it cuts off after few seconds.
- Does NOT include charger however any mini USB charger is compatible with this light.

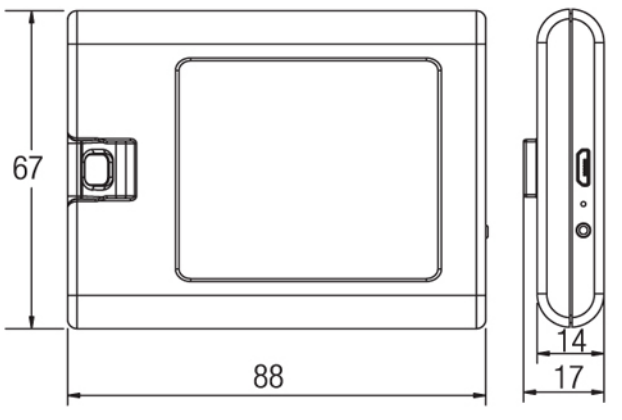
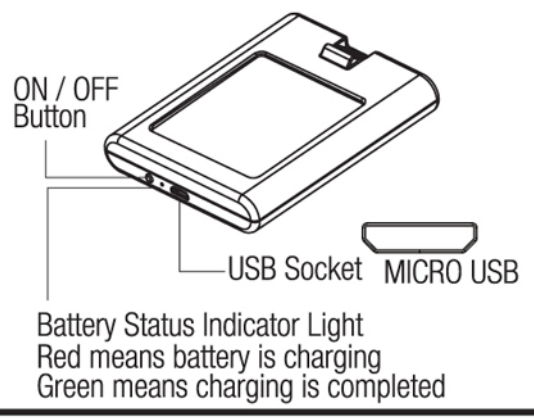
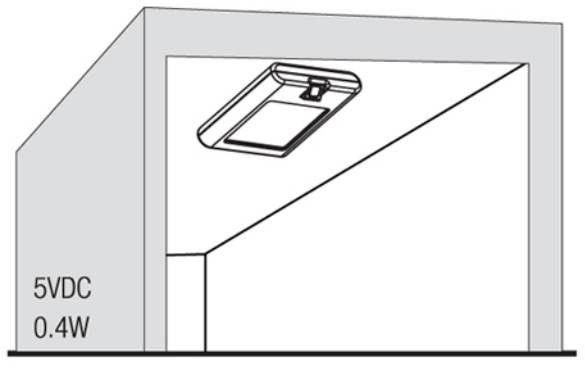
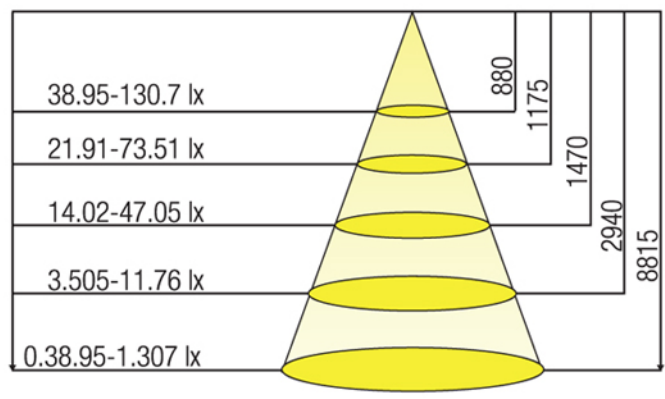
Specification

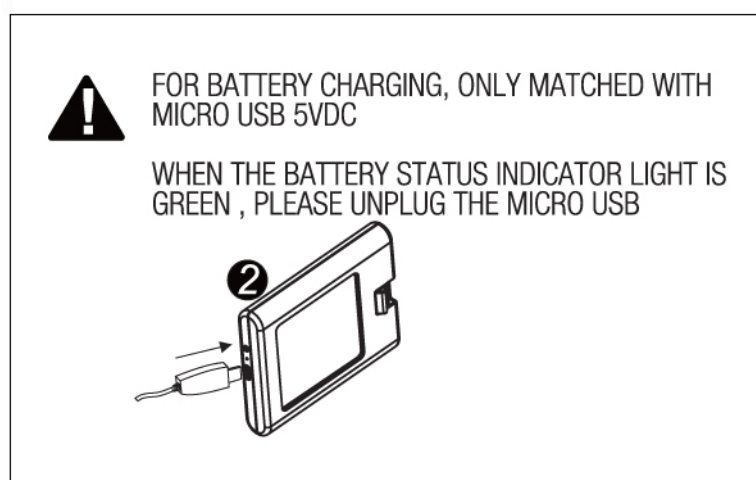
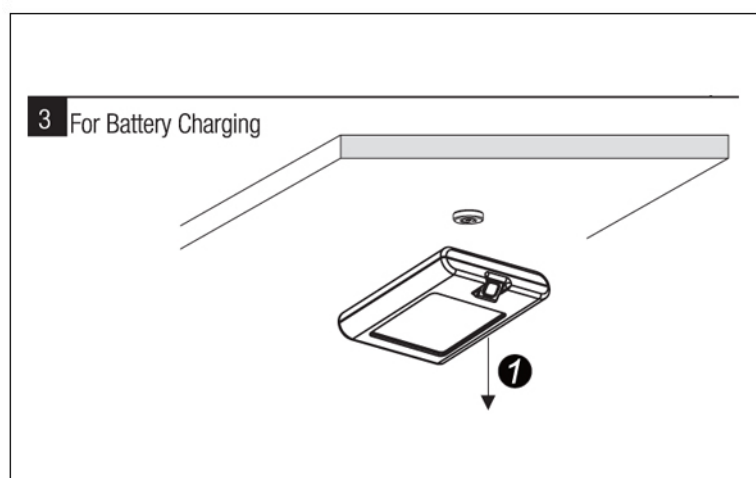
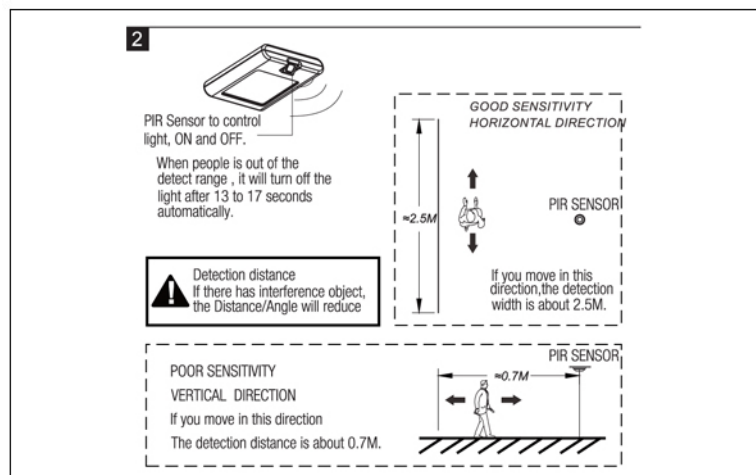
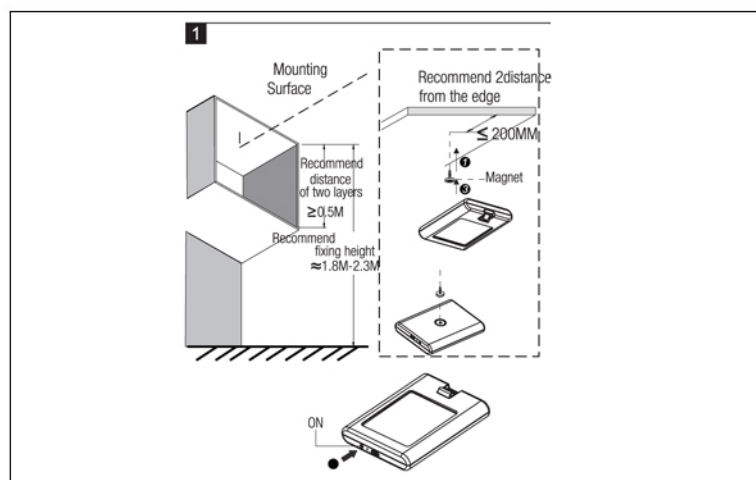
Model	Code	Finish
-------	------	--------

Smart Light Recharge - Mini (Surface Mount) SLRM-1 (WH) White		
---	--	--

Fitting Instructions







Care Instructions

- Do not expose to water or moisture
- To clean when required, wipe with a dry cloth
- Do not clean, paint, engrave or use any chemicals on the product

Warranty

- Our product comes with a 12 month warranty against any manufacturing defects.

- The warranty does not cover damages due to incorrect and inaccurate installation of the product.
- For any guidance or help required with installation, please email us at help@ebco.in with your order number and a scanned copy of the invoice.
- The warranty does not cover any usage of the product beyond its intended use and wear and tear in the natural course of product usage.
- The warranty is only valid against an original invoice received at the time of purchase.

Returns

- All sales are final, except in the case of any manufacturing defects. For any manufacturing defects, we offer easy replacements.
- In the case of transit damage, it rests solely at the discretion of Ebco to process any replacements on a case-by-case basis.
- In case, you receive a defective or damaged product , please contact us within 7 days of receipt. Email us a few photographs with the order number and a scanned copy of the invoice to help@ebco.in.
- We will assess the damage and revert within 24 hours. We will either arrange to collect the product and send you a replacement free of charge or just send you a replacement part.