



Folding Dining Table Fitting



Quick Overview

- This product enables you to have a fold away dining table
- Can also be used a fold away work table in a room where space is limited
- Does **NOT** include the table top “ only includes the fittings
- Special release knob helps to fold the table
- Built for strength & durability
- Maximum width 900mm - 3mm clearance is required on both sides
- Available in 4 different sizes - 600mm, 750mm, 900mm and 1200mm
- Load capacity: 70 kilograms
- May not be suitable for table tops made of heavy materials such as stone, marble, granite, etc. However, this depends on size. For questions on this, please email help@ebco.in

Folding Dining Table Fitting Size

600mm

750mm

900mm

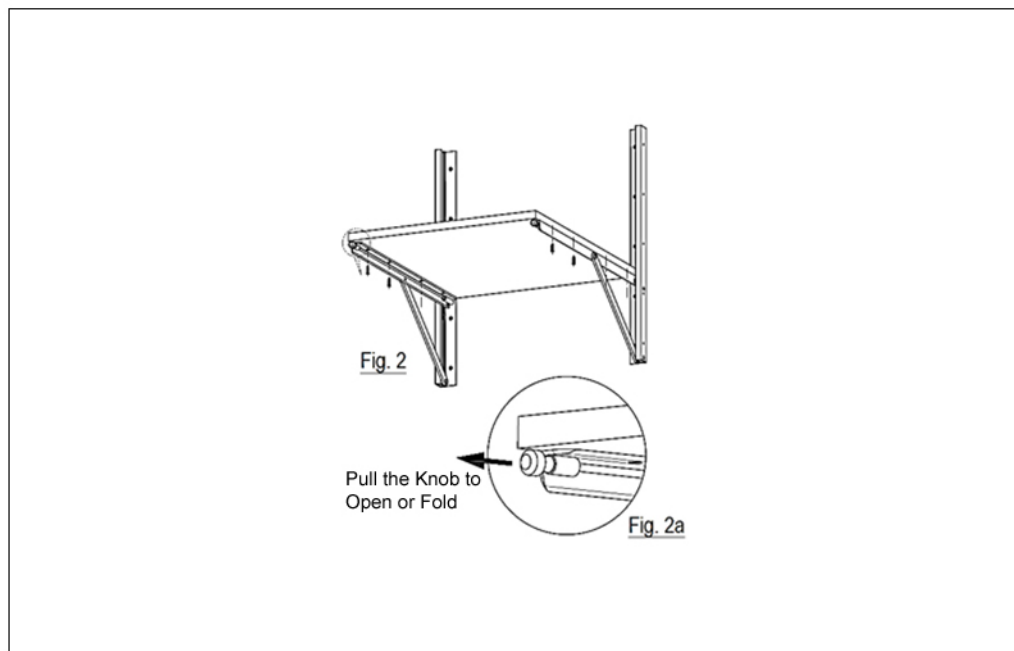
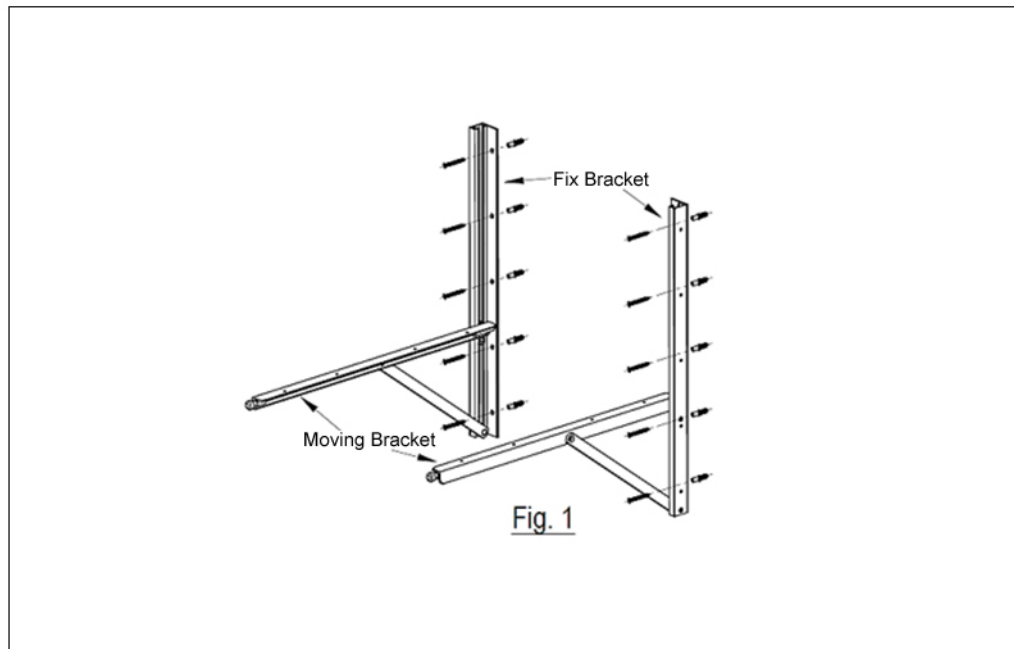
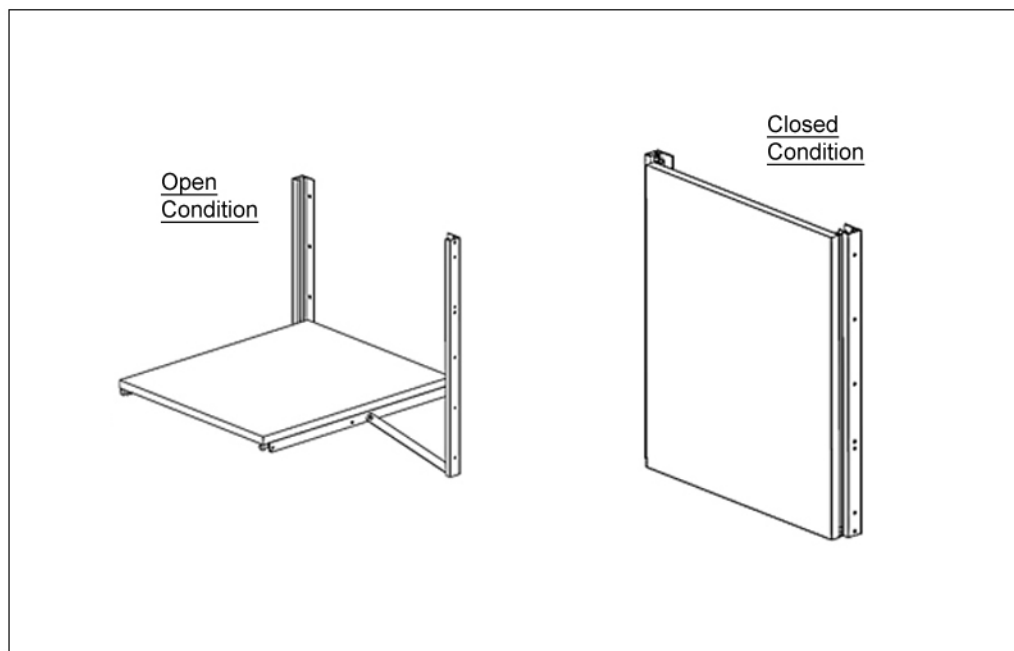
1200mm

Specification

Model	Code	Size (mm)	Finish
Folding Dining Table Fitting	FDT 60	600 mm	Anthracite
	FDT 75	750 mm	
	FDT 90	900 mm	
	FDT 120	1200 mm	

Fitting Instructions

- Mount the fixed bracket to the wall with wall plugs & screws as shown in Fig. 1.
- The wall onto which the bracket is mounted must be of solid wood, brick work or concrete only, do not use on plywood, block board etc.
- Fit the table top onto the moving bracket with screws as shown in Fig 2.
- It can be folded & kept while not in use, pull the knob to fold the bracket as shown in Fig 2a.



Care Instructions

- To clean when required, wipe with a dry cloth
- Do NOT overload the desk – this is dangerous
- Do not paint, engrave or use any chemicals on the product

Warranty

- Our products come with a 12 month warranty against any manufacturing defects.

- The warranty does not cover damages due to incorrect and inaccurate installation of the product.
- For any guidance or help required with installation, please email us at help@ebco.in with your order number and a scanned copy of the invoice.
- The warranty does not cover any usage of the product beyond its intended use and wear and tear in the natural course of product usage.
- The warranty is only valid against an original invoice received at the time of purchase.

Returns

- All sales are final, except in the case of any manufacturing defects. For any manufacturing defects, we offer easy replacements.
- In the case of transit damage, it rests solely at the discretion of Ebco to process any replacements on a case-by-case basis.
- In case, you receive a defective or damaged product , please contact us within 7 days of receipt. Email us a few photographs with the order number and a scanned copy of the invoice to help@ebco.in.
- We will assess the damage and revert within 24 hours. We will either arrange to collect the product and send you a replacement free of charge or just send you a replacement part.