



Modular Cutlery Tray - Cutting Board



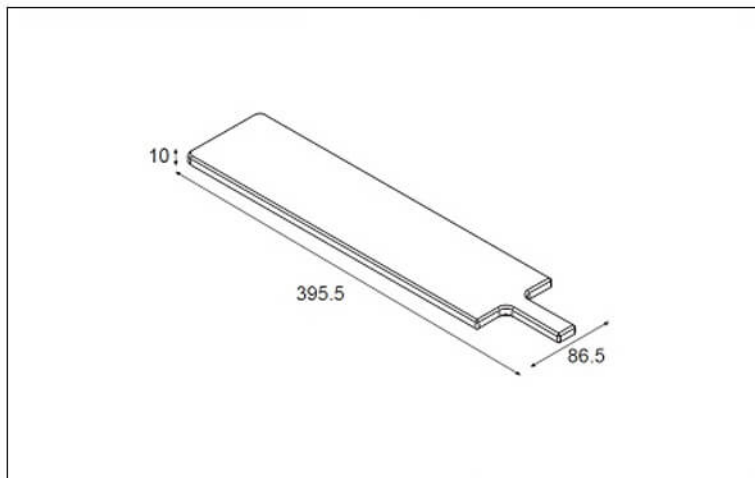
Quick Overview

- Sleek design cutting board is ideal for slicing, chopping or cutting vegetables & fruit
- Compact design â doesnâ t require too much storage space
- Additional handle tip provided to hold or carry the board easily wherever required
- Durable and easy to clean
- Can be used with [Modular Cutlery Tray 9-20 \(Single Wing\)](#)

Specification

Model	Code	Size (mm)			Finish
		Width	Depth	Height	
Modular Cutlery Tray - Cutting Board	MCT-CB	86.5	395.5	10	White

Fitting Instructions



Care Instructions

- Wash and wipe dry, store in a dry area
- Use of serrated edge knives may scratch the board
- Do not paint, engrave or use any chemicals on the product

Warranty

- Our products come with a 12 month warranty against any manufacturing defects.
- The warranty does not cover damages due to incorrect and inaccurate installation of the product.
- For any guidance or help required with installation, please email us at help@ebco.in with your order number and a scanned copy of the invoice.
- The warranty does not cover any usage of the product beyond its intended use and wear and tear in the natural course of product usage.
- The warranty is only valid against an original invoice received at the time of purchase.

Returns

- All sales are final, except in the case of any manufacturing defects. For any manufacturing defects, we offer easy replacements.
- In the case of transit damage, it rests solely at the discretion of Ebco to process any replacements on a case-by-case basis.
- In case, you receive a defective or damaged product , please contact us within 7 days of receipt. Email us a few photographs with the order number and a scanned copy of the invoice to help@ebco.in.
- We will assess the damage and revert within 24 hours. We will either arrange to collect the product and send you a replacement free of charge or just send you a replacement part.