

Utility Flip Box



Quick Overview

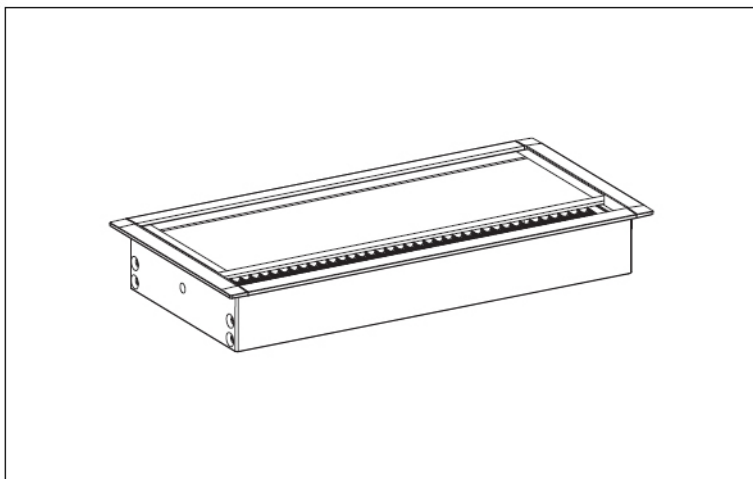
- Gives access to switches beneath the table
- Elegant design with easy installation
- Doubles as stationary box / can also be used to keep stationary items

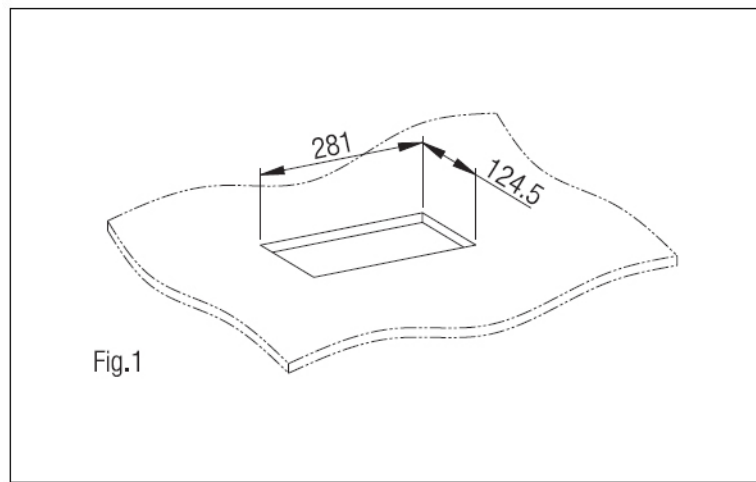
Specification

Model	Code	Size (mm)	Finish
Utility Flip Box	UFB 512	Outer Dimensions: 300 x 145 Cutout Dimensions: 281 x 124.5	Silver

Fitting Instructions

- Cut a slot of 124.5 x 281mm as shown in Fig. 1 & push the Utility Flip box into the cavity.





Care Instructions

- To clean when required, wipe with a dry cloth.
- Do not paint, engrave or use any chemicals on the product.

Warranty

- Our products come with a 12 month warranty against any manufacturing defects.
- The warranty does not cover damages due to incorrect and inaccurate installation of the product.
- For any guidance or help required with installation, please email us at help@ebco.in with your order number and a scanned copy of the invoice.
- The warranty does not cover any usage of the product beyond its intended use and wear and tear in the natural course of product usage.
- The warranty is only valid against an original invoice received at the time of purchase.

Returns

- All sales are final, except in the case of any manufacturing defects. For any manufacturing defects, we offer easy replacements.
- In the case of transit damage, it rests solely at the discretion of Ebco to process any replacements on a case-by-case basis.
- In case, you receive a defective or damaged product, please contact us within 7 days of receipt. Email us a few photographs with the order number and a scanned copy of the invoice to help@ebco.in.
- We will assess the damage and revert within 24 hours. We will either arrange to collect the product and send you a replacement free of charge or just send you a replacement part.