



Electric Box - Slim



Quick Overview

- A smart and elegant product that gives access to switches beneath a desk / table
- Has a built in smooth soft close mechanism which allows the lid to close softly and silently
- This product can be easily installed
- Available in White and Anthracite colors
- Available in 5 different sizes in each color

Electric Box Size

220 x 132 x 27

270 x 132 x 27

320 x 132 x 27

370 x 132 x 27

470 X 132 X 27

Color

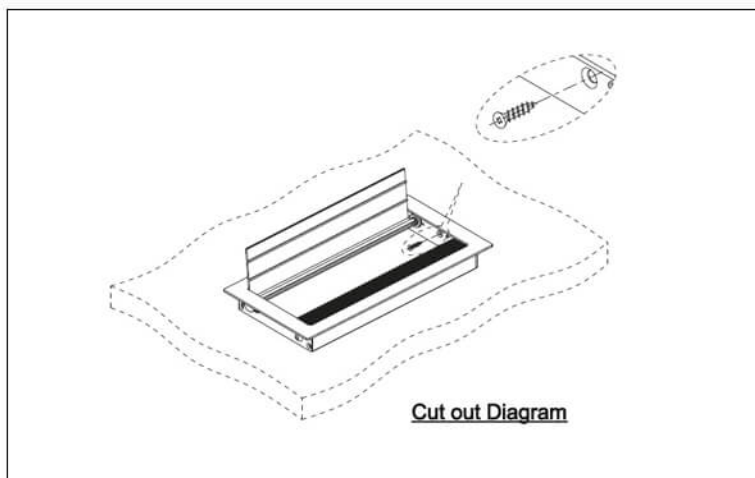
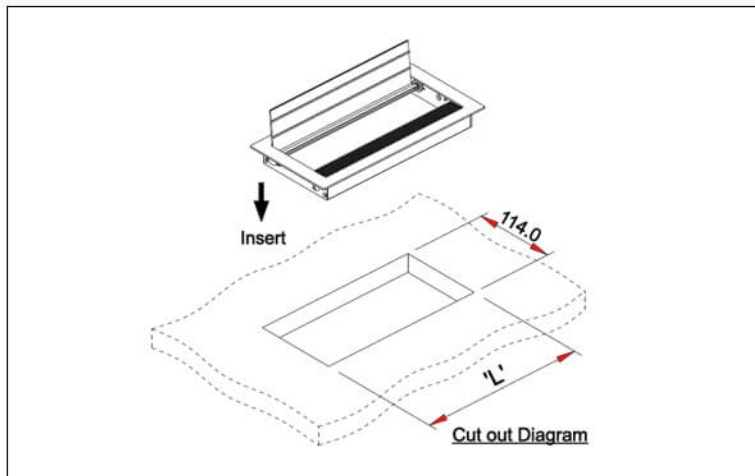
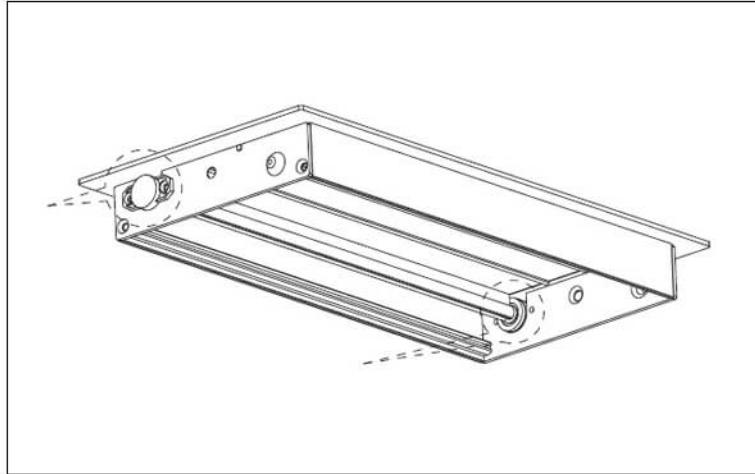
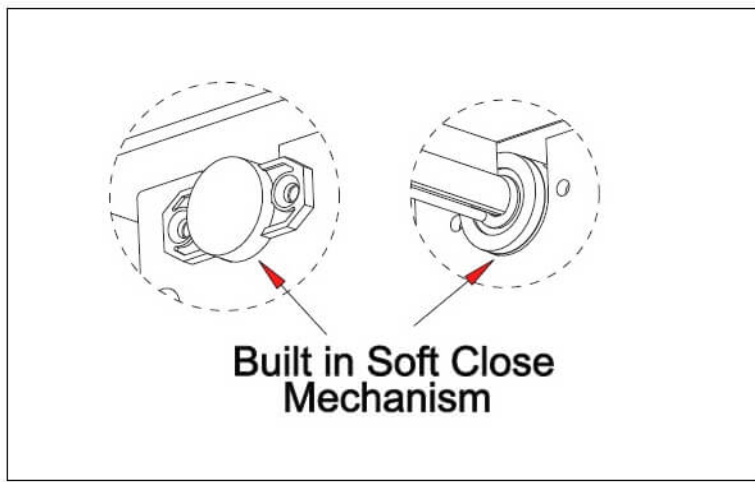
Specification

Item	Code	Size (mm)	Finish
Electric Box Slim 20	EBS20	220 x 132 x 27	White Texture / Anthracite
Electric Box Slim 25	EBS25	270 x 132 x 27	White Texture / Anthracite
Electric Box Slim 30	EBS30	320 x 132 x 27	White Texture / Anthracite
Electric Box Slim 35	EBS35	370 x 132 x 27	White Texture / Anthracite
Electric Box Slim 45	EBS45	470 X 132 X 27	White Texture / Anthracite

Fitting Instructions

Follow the steps given Below.

Code	Dimensions 'L'
EBS 11	113.0
EBS 20	201.0
EBS 25	251.0
EBS 30	301.0
EBS 35	351.0
EBS 45	451.0



Care Instructions

- To clean when required, wipe with a dry cloth.
- Do not clean, paint, engrave or use any chemicals on the product.

Warranty

- Our Products comes with a 12 month warranty against any manufacturing defects.
- The warranty does not cover damages due to incorrect and inaccurate installation of the product.

- For any guidance or help required with installation, please email us at help@ebco.in with your order number and a scanned copy of the invoice.
- The warranty does not cover any usage of the product beyond its intended use and wear and tear in the natural course of product usage.
- The warranty is only valid against an original invoice received at the time of purchase.

Returns

- All sales are final, except in the case of any manufacturing defects. For any manufacturing defects, we offer easy replacements.
- In the case of transit damage, it rests solely at the discretion of Ebco to process any replacements on a case-by-case basis.
- In case, you receive a defective or damaged product, please contact us within 7 days of receipt. Email us a few photographs with the order number and a scanned copy of the invoice to help@ebco.in.
- We will assess the damage and revert within 24 hours. We will either arrange to collect the product and send you a replacement free of charge or just send you a replacement part.