



## Table Bracket



### Quick Overview

- Ideal fitting for a fold away table or shelf.
- Special release latch helps fold the table.
- Built for strength and durability.
- Load Capacity of 100 kgs for 300 mm, 400 mm, 500 mm & 150 kgs for 600 mm.
- Available in Anthracite only.
- Sold in a set of 2 pieces.

### Table Bracket Size

300mm

400mm

500mm

600mm

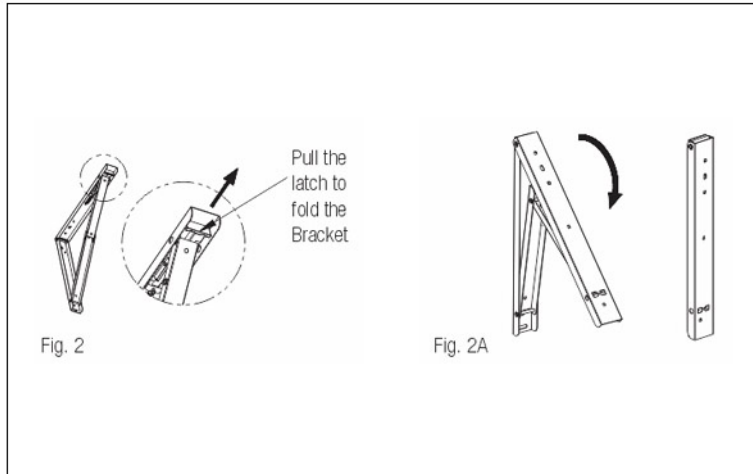
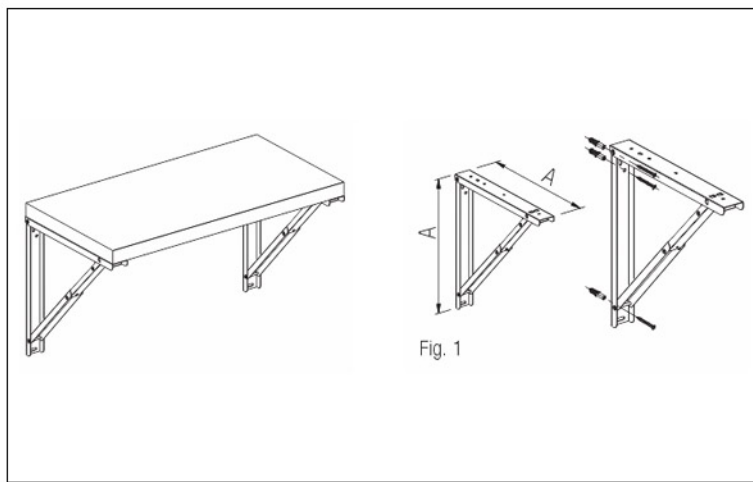
### Color

### Specification

Code	Size (mm)	Load	Finish
TB 30	300mm	100kgs	Anthracite
TB 40	400mm		
TB 50	500mm		
TB 60	600mm	150kgs	

### Fitting Instructions

- Screw the Side Bracket to the wall with wall plugs and screws. (Ref. Fig. 1). The wall must be solid wood, brick wood or concrete only. Do not use plywood, block board etc .
- It can be folded and kept while not in use. Pull the slider as given in the diagram to fold the bracket. (Ref Fig. 2 & 2A).



## Care Instructions

- To clean when required, wipe with a dry cloth.
- Do not clean, paint, engrave or use any chemicals on the product.

## Warranty

- Our Products comes with a 12 month warranty against any manufacturing defects.
- The warranty does not cover damages due to incorrect and inaccurate installation of the product.
- For any guidance or help required with installation, please email us at [help@ebco.in](mailto:help@ebco.in) with your order number and a scanned copy of the invoice.
- The warranty does not cover any usage of the product beyond its intended use and wear and tear in the natural course of product usage.
- The warranty is only valid against an original invoice received at the time of purchase.

## Returns

- All sales are final, except in the case of any manufacturing defects. For any manufacturing defects, we offer easy replacements.
- In the case of transit damage, it rests solely at the discretion of Ebco to process any replacements on a case-by-case basis.
- In case, you receive a defective or damaged product , please contact us within 7 days of receipt. Email us a few photographs with the order number and a scanned copy of the invoice to [help@ebco.in](mailto:help@ebco.in).
- We will assess the damage and revert within 24 hours. We will either arrange to collect the product and send you a replacement free of charge or just send you a replacement part.