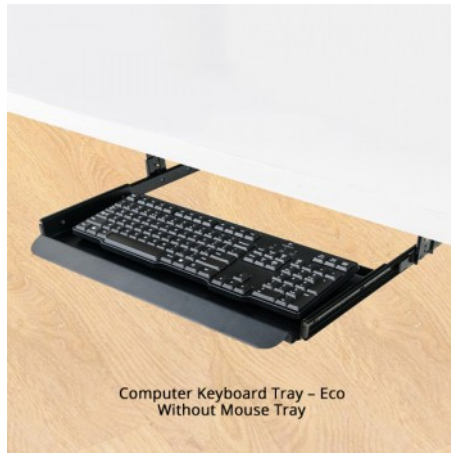


Computer Keyboard Tray â€™ Eco



Quick Overview

- Allows your keyboard to be neatly stored underneath your desk and pulled out when required.
- Simple and cost effective design.
- Its height can be adjusted by using the height adjustable mounting brackets.
- Easy and direct front installation.
- Moves quietly and smoothly with keyboard slides.
- It has a unique angled hand rest to prevent fatigue while working.
- Special latch provided for locking.
- Maximum Load: 12kgs.
- Available in Black.

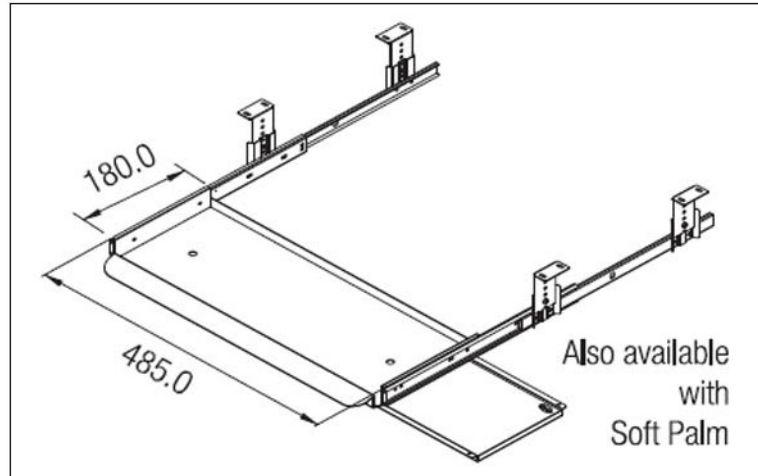
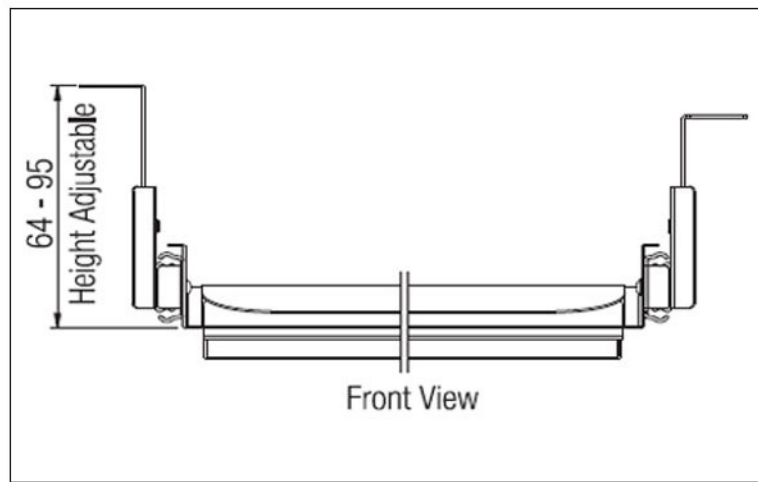
Mouse Tray Option

Without Mouse Tray

With Mouse Tray

Specification

Model	Code	Size	Finish
With Mouse Tray	KTE1-35M	350mm	Black
Without Mouse Tray	KTE1-35	350mm	Black



Fitting Instructions

- Minimum horizontal gap required 600 mm.
- Screw the mounting brackets at 85 mm distance from the front edge of the table and to other 255 mm. (Ref. Fig.1).
- Drill as per drilling diagram as in Fig. 2.
- Assemble height adjustment brackets on to the slides using M4 screws provided, as in Fig. 3.
- Height adjustment bracket should be adjusted for desired height.

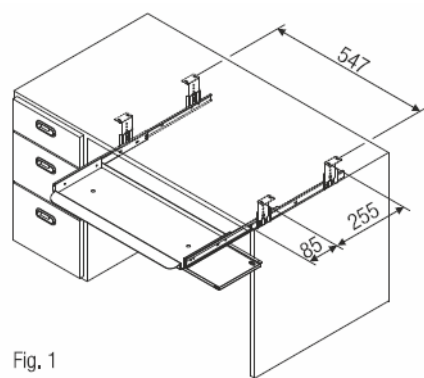
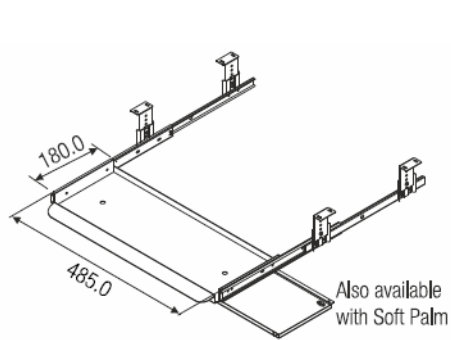


Fig. 1

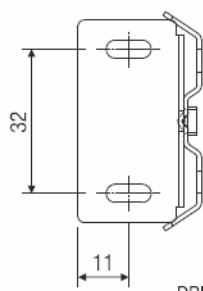


Fig. 2

DRILLING DIAGRAM

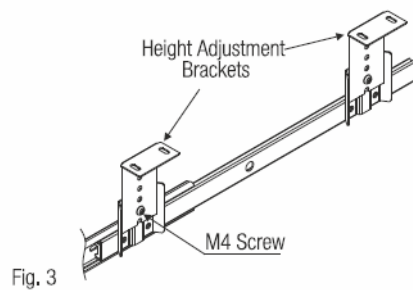
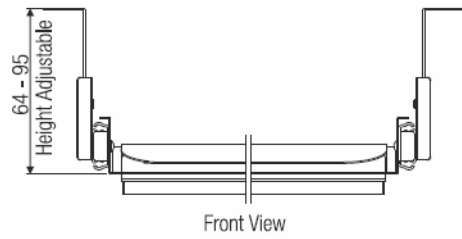


Fig. 3



Care Instructions

- Do not overload the product.
- To clean when required, wipe with a dry cloth.
- Do not clean, paint, engrave or use any chemicals on the product.

Warranty

- Our Products comes with a 12 month warranty against any manufacturing defects.
- The warranty does not cover damages due to incorrect and inaccurate installation of the product.
- For any guidance or help required with installation, please email us at help@ebco.in with your order number and a scanned copy of the invoice.
- The warranty does not cover any usage of the product beyond its intended use and wear and tear in the natural course of product usage.
- The warranty is only valid against an original invoice received at the time of purchase.

Returns

- All sales are final, except in the case of any manufacturing defects. For any manufacturing defects, we offer easy replacements.
- In the case of transit damage, it rests solely at the discretion of Ebco to process any replacements on a case-by-case basis.
- In case, you receive a defective or damaged product , please contact us within 7 days of receipt. Email us a few photographs with the order number and a scanned copy of the invoice to help@ebco.in.
- We will assess the damage and revert within 24 hours. We will either arrange to collect the product and send you a replacement free of charge or just send you a replacement part.