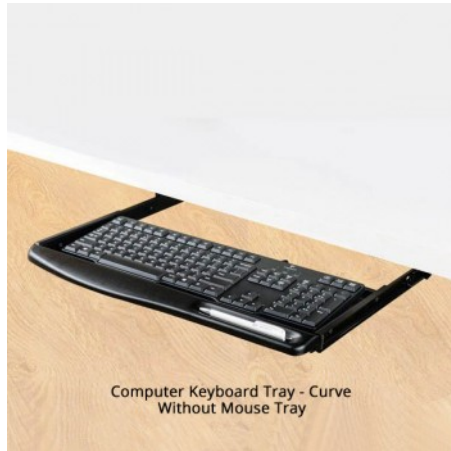




Computer Keyboard Tray â Curve



Quick Overview

- Allows your keyboard to be neatly stored underneath your desk and pulled out when required.
- Simple and cost effective design.
- Easy and direct front installation.
- Its height can be adjusted by using the height adjustable mounting brackets.
- Comes with a formed pencil tray.
- Moves quietly and smoothly with keyboard slides.
- It has a unique arched hand rest to prevent fatigue while working.
- Special latch provided for locking.
- Maximum Load: 12kgs.
- Available in Black.

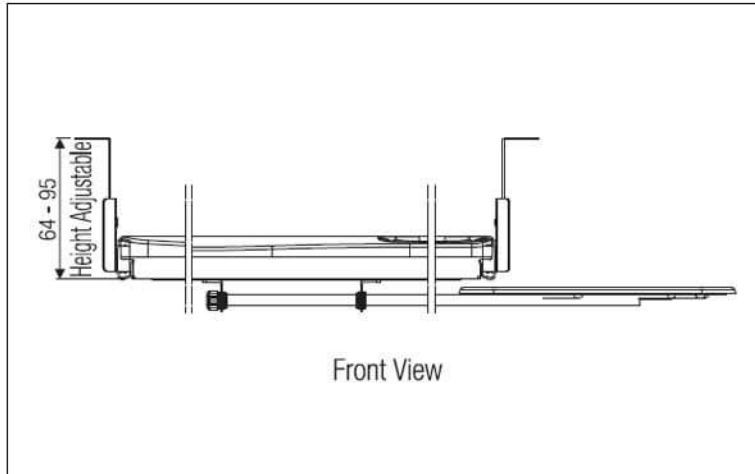
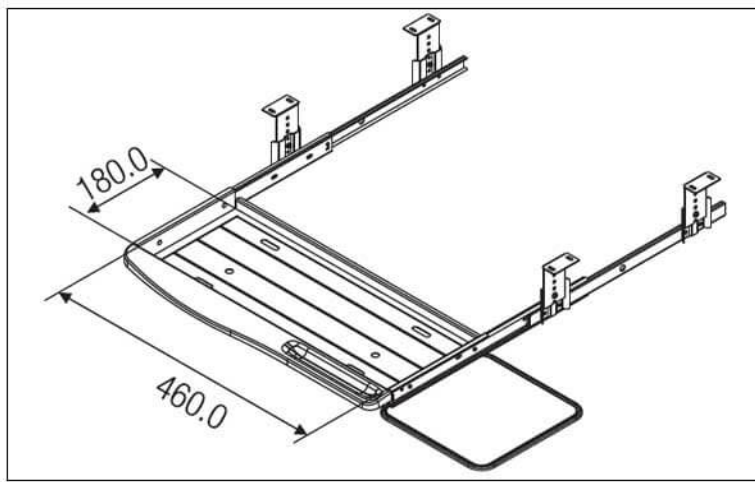
Mouse Tray Option

Without Mouse Tray

With Mouse Tray

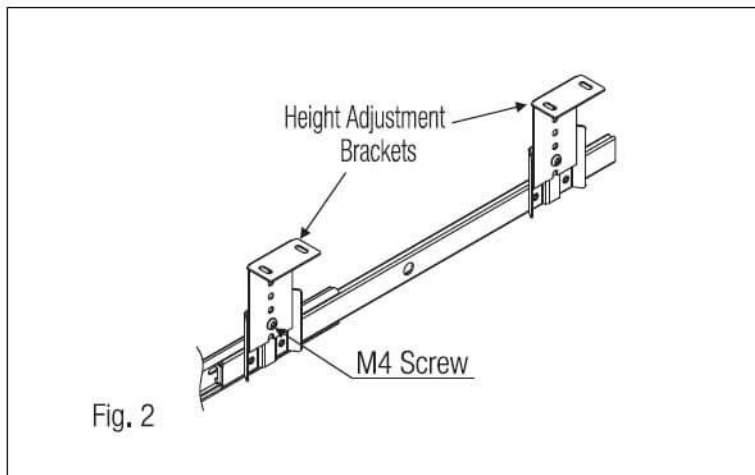
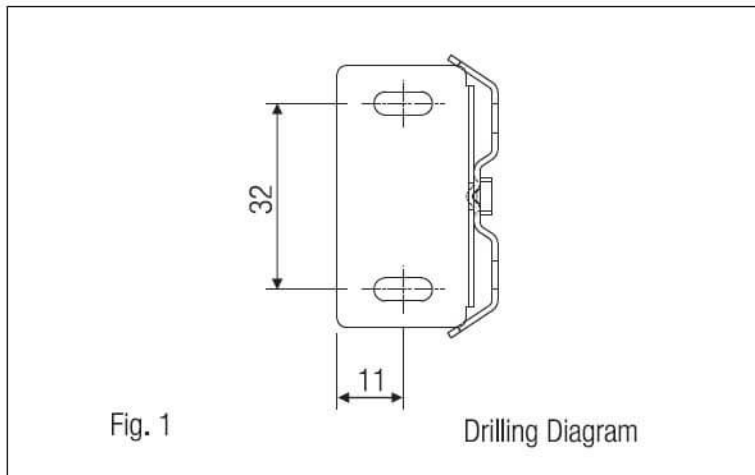
Specification

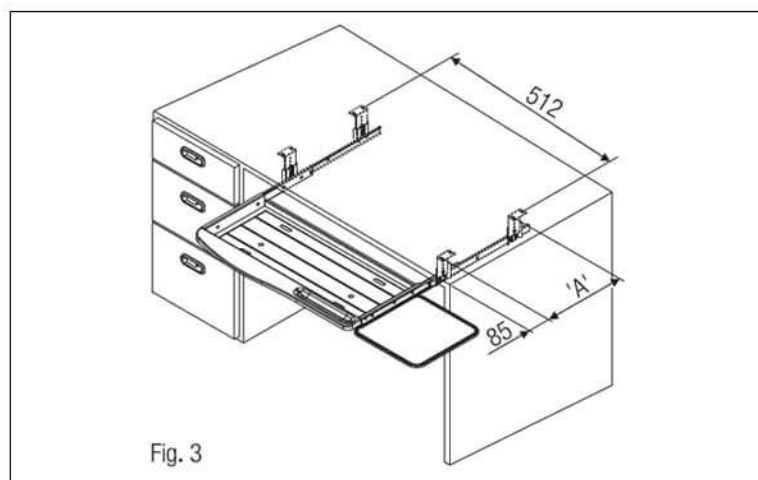
Model	Code	Length (mm)	Extension (mm)	Dim A in Fig. 3 (mm)	Finish
Keyboard Tray - Curve (without Mouse Tray)	KBTC35-BL	350	240	255	Black
Keyboard Tray - Curve (with Mouse Tray)	KBTC35M-BL	350	240	255	



Fitting Instructions

- Minimum horizontal gap required is 550mm.
- Drill as per drilling diagram as in Fig. 1.
- Assemble height adjustment brackets on to the slides using M4 screws provided as in Fig. 2.
- Height adjustment bracket should be adjusted for desired height.
- Screw the mounting bracket 85mm distance from the edge of the table and to other end 255mm & 355mm respectively for 350mm & 400mm slides (Refer Fig. 3).





Care Instructions

- Do not overload the product.
- To clean when required, wipe with a dry cloth.
- Do not clean, paint, engrave or use any chemicals on the product.

Warranty

- Our Products comes with a 12 month warranty against any manufacturing defects.
- The warranty does not cover damages due to incorrect and inaccurate installation of the product.
- For any guidance or help required with installation, please email us at help@ebco.in with your order number and a scanned copy of the invoice.
- The warranty does not cover any usage of the product beyond its intended use and wear and tear in the natural course of product usage.
- The warranty is only valid against an original invoice received at the time of purchase.

Returns

- All sales are final, except in the case of any manufacturing defects. For any manufacturing defects, we offer easy replacements.
- In the case of transit damage, it rests solely at the discretion of Ebco to process any replacements on a case-by-case basis.
- In case, you receive a defective or damaged product , please contact us within 7 days of receipt. Email us a few photographs with the order number and a scanned copy of the invoice to help@ebco.in.
- We will assess the damage and revert within 24 hours. We will either arrange to collect the product and send you a replacement free of charge or just send you a replacement part.