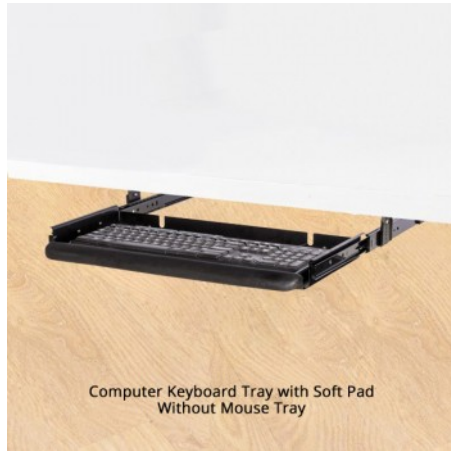




Computer Keyboard Tray with Soft Pad



Quick Overview

- Allows your keyboard to be neatly stored underneath your desk and pulled out when required.
- This product comes with or without a left or right side retractable mouse pad tray.
- Its height can be adjusted by using the height adjustable mounting brackets.
- Moves quietly and smoothly with keyboard slides.
- It has a unique angled hand rest to prevent fatigue while working.
- Available with 200mm extension.
- Comes with a special compartment for pencil.
- The tray can be detached from the slides (using latches).
- Special pressure locks at extended position.
- Maximum Load: 12kgs.
- Comes with a soft palm rest.
- Available in Black.

Mouse Tray Option

Without Mouse Tray

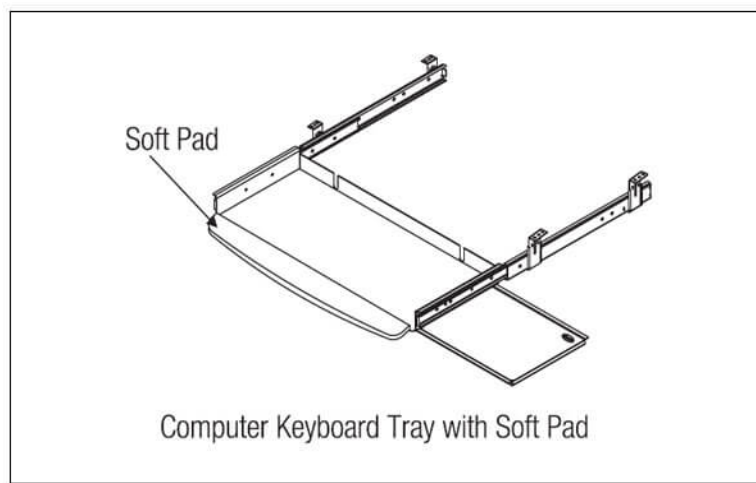
With Mouse Tray

Specification

Keyboard Tray with Soft Palm

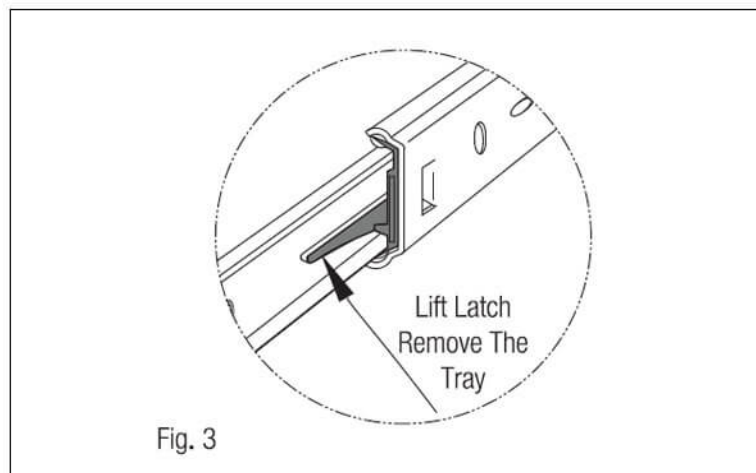
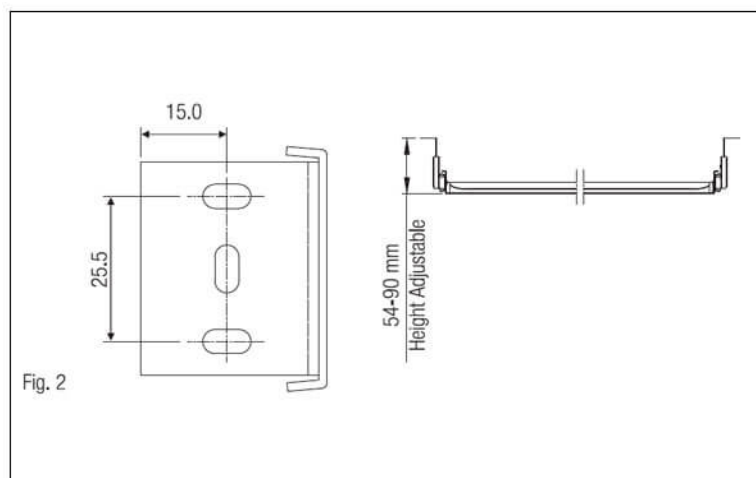
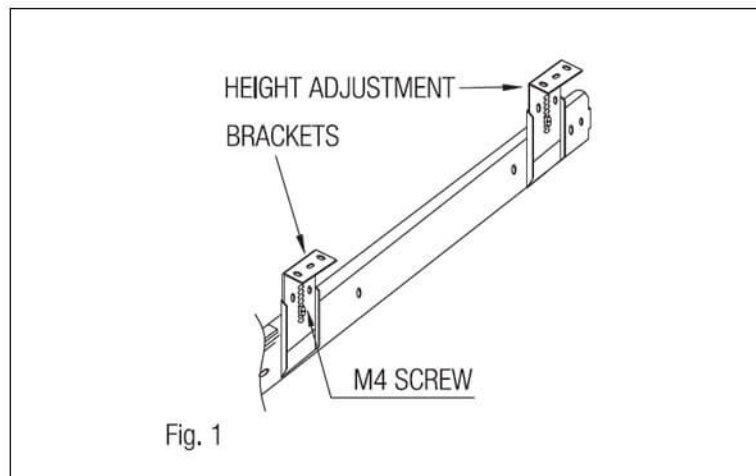
Model	Code	Length (mm)	Extension (mm)	Finish
With Mouse Tray	KTSM35-BL	350	200	Black

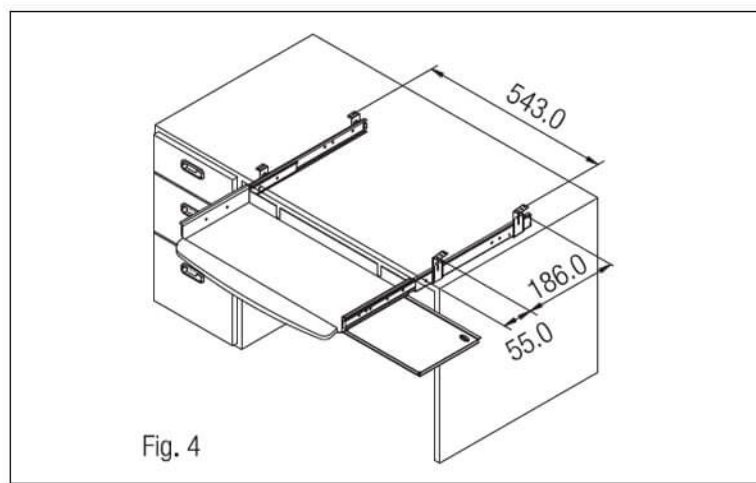
Without Mouse Tray KTS35-BL



Fitting Instructions

- Assemble Height adjustment brackets onto slides using M4 screw provided as in Fig.1.
- Drill as per drilling diagram Fig.2.
- Height adjustment bracket should be adjusted for desired height.
- Screw the key board slide onto the table. Table should have minimum horizontal gap of 600 mm.
- Slide the Keyboard Platform out till it automatically latches.
- To remove Tray lift latches provided on each sides and pull as per Fig.3.





Care Instructions

- Do not overload the product.
- To clean when required, wipe with a dry cloth.
- Do not clean, paint, engrave or use any chemicals on the product.

Warranty

- Our Products comes with a 12 month warranty against any manufacturing defects.
- The warranty does not cover damages due to incorrect and inaccurate installation of the product.
- For any guidance or help required with installation, please email us at help@ebco.in with your order number and a scanned copy of the invoice.
- The warranty does not cover any usage of the product beyond its intended use and wear and tear in the natural course of product usage.
- The warranty is only valid against an original invoice received at the time of purchase.

Returns

- All sales are final, except in the case of any manufacturing defects. For any manufacturing defects, we offer easy replacements.
- In the case of transit damage, it rests solely at the discretion of Ebco to process any replacements on a case-by-case basis.
- In case, you receive a defective or damaged product , please contact us within 7 days of receipt. Email us a few photographs with the order number and a scanned copy of the invoice to help@ebco.in.
- We will assess the damage and revert within 24 hours. We will either arrange to collect the product and send you a replacement free of charge or just send you a replacement part.