

Computer Keyboard Tray



Quick Overview

- Allows your keyboard to be neatly stored underneath your desk and pulled out when required.
- This product comes with or without a left or right side retractable mouse pad tray.
- Its height can be adjusted by using the height adjustable mounting brackets.
- Moves quietly and smoothly with keyboard slides.
- It has a unique angled hand rest to prevent fatigue while working.
- Available with 200mm extension.
- Comes with a special compartment for pencil.
- The tray can be detached from the slides (using latches).
- Special pressure locks at extended position.
- Maximum Load: 12kgs.
- Available in Black.

Mouse Tray Option

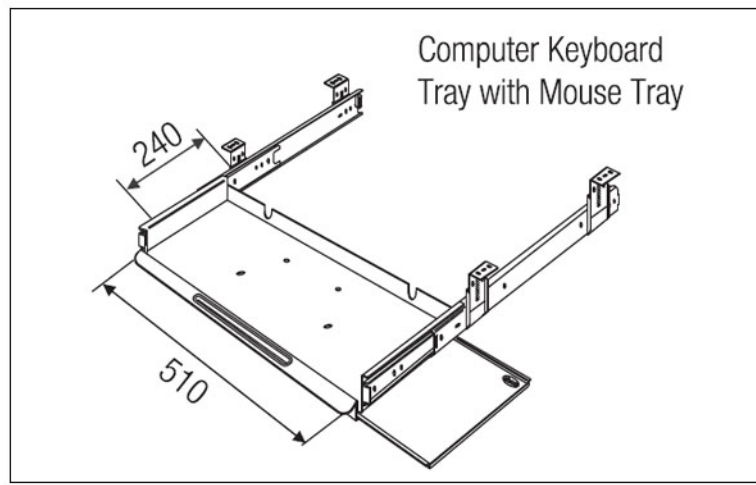
Without Mouse Tray

With Mouse Tray

Specification

Keyboard Tray

Model	Code	Length (mm)	Extension (mm)	Finish
With Mouse Tray	KBTM 35	350	200	Black
Without Mouse Tray	KBT 35			



Fitting Instructions

The tray is fitted just below the desktop and slides out with the computer keyboard when required.

- Assemble height adjustment brackets on the slides using M4 screw provided as in Fig. 1.
- Drill as per drilling diagram Fig.2.
- Height adjustment bracket should be adjusted for desired height.
- Screw the keyboard onto the table. Table should have minimum horizontal gap of 600mm.
- Slide the keyboard tray out until it automatically latches.
- To remove tray, lift latches provided on each slide and pull as per Fig. 3.

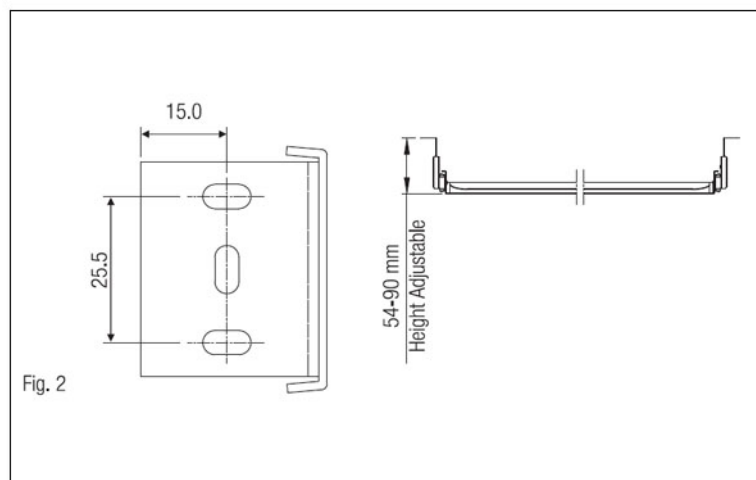
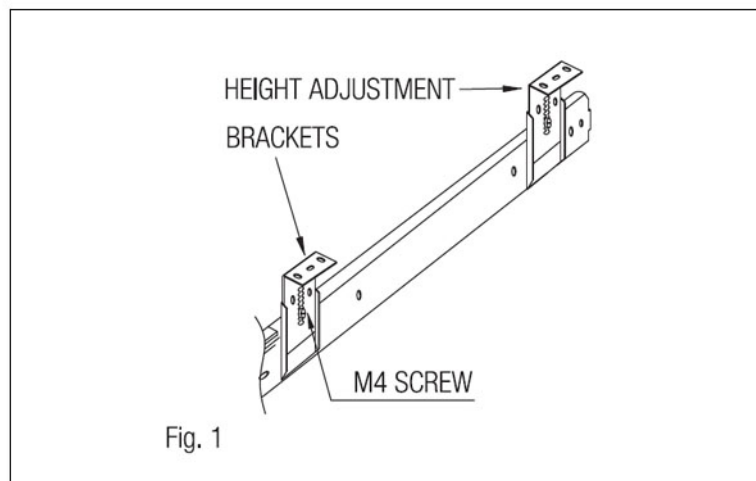




Fig. 3

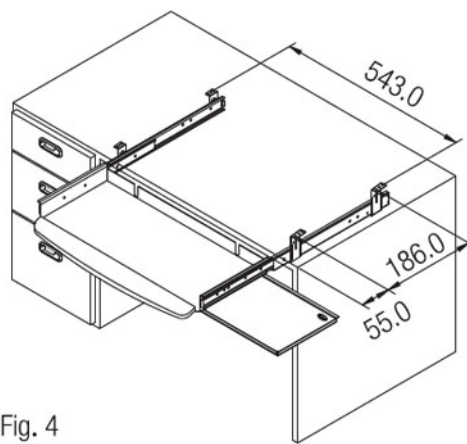


Fig. 4

Care Instructions

- Do not overload the product.
- To clean when required, wipe with a dry cloth.
- Do not clean, paint, engrave or use any chemicals on the product.

Warranty

- Our Products comes with a 12 month warranty against any manufacturing defects.
- The warranty does not cover damages due to incorrect and inaccurate installation of the product.
- For any guidance or help required with installation, please email us at help@ebco.in with your order number and a scanned copy of the invoice.
- The warranty does not cover any usage of the product beyond its intended use and wear and tear in the natural course of product usage.
- The warranty is only valid against an original invoice received at the time of purchase.

Returns

- All sales are final, except in the case of any manufacturing defects. For any manufacturing defects, we offer easy replacements.
- In the case of transit damage, it rests solely at the discretion of Ebco to process any replacements on a case-by-case basis.
- In case, you receive a defective or damaged product , please contact us within 7 days of receipt. Email us a few photographs with the order number and a scanned copy of the invoice to help@ebco.in.
- We will assess the damage and revert within 24 hours. We will either arrange to collect the product and send you a replacement free of charge or just send you a replacement part.