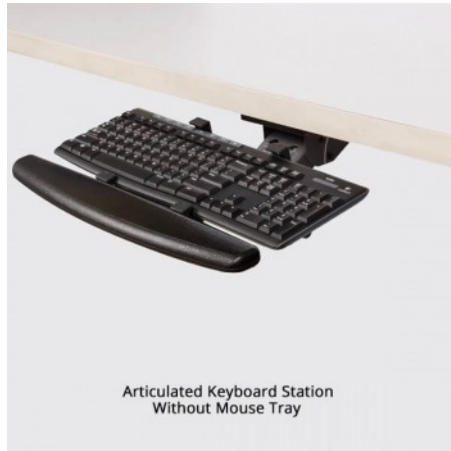




Articulated Keyboard Station



Quick Overview

- This new generation keyboard station has a built in slide and keyboard holder.
- Excellent for users who are at their computers for long periods of time (at home or at the office).
- Stable, solid and durable design combined with elegant looks.
- Low profile design for maximum leg room.
- Adjustments can be made simultaneously keyboard can be tilted and rotated to the angle that is most comfortable for the user.
- Comes with a textured soft palm rest and a stowaway mouse pad.
- Easy to assemble and transport.
- Adjustments are spring assisted to help counter balance.
- 360° swivel allows user to move keyboard freely from side to side at his or her desk.
- Available in Anthracite.



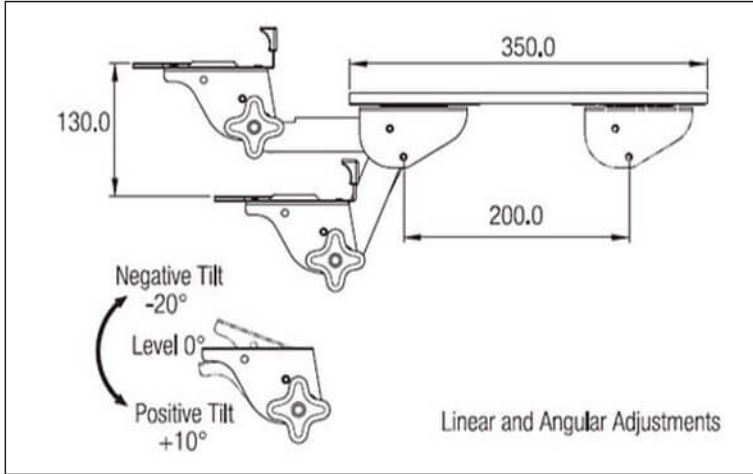
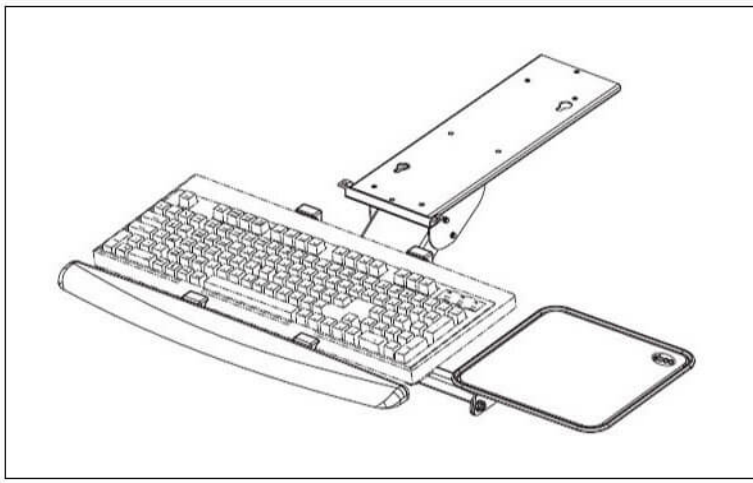
Mouse Tray Option

With Mouse Tray

Without Mouse Tray

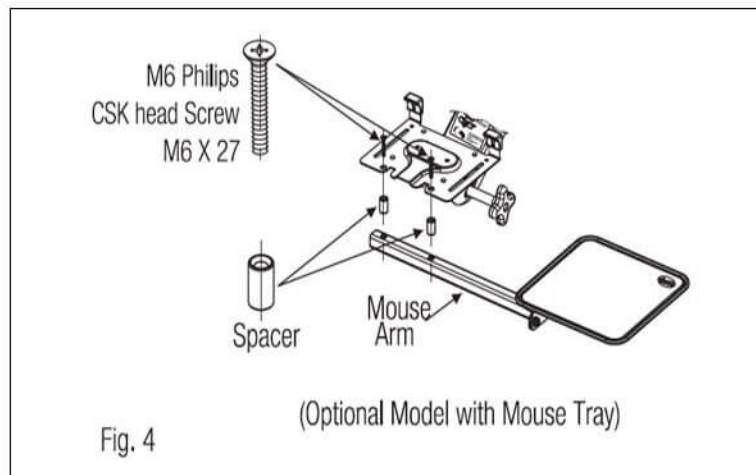
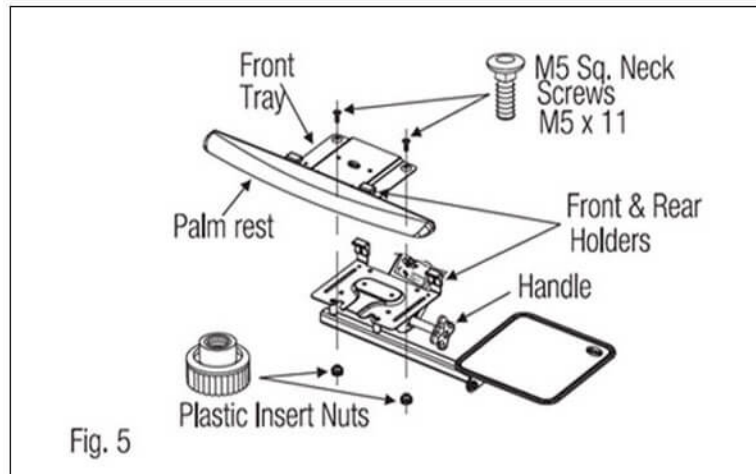
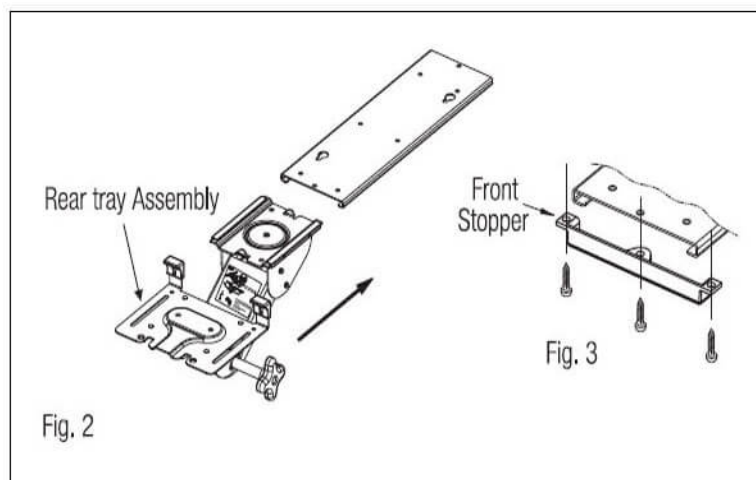
Specification

Item	Type	Code	Finish
Articulated Keyboard Station	Without Mouse Tray	AKS1	Soft Pad- Black Texture Fitting- Anthracite



Fitting Instructions

- Fit the retainer plate under the table top leaving 15mm from the front. Fit the stopper bush at the rear end.(Ref. Fig.1) Use pan head wood screws provided.
- Slide the rear tray assembly into the retainer plate (Refer Fig.2).
- Screw the plastic front stopper onto the front end of the retainer plate.(Ref. Fig.3).
- Fit the optional Mouse tray (Ref Fig 4). Use M6 x 27 screws with spacers as shown.
- Fit the front tray with M5 x 11 sq. neck screws and plastic insert nuts (Refer Fig 5).
- Keyboard is now inserted between front and rear holders and clamped tightly with plastic nuts.
- Use handle to adjust angle, height as well as for storage.



Care Instructions

- Please follow the fitting instructions carefully. Not following these instructions can lead to damage of your keyboard as well as the product.
- To clean when required, wipe with a dry cloth or lightly brush dust off with a clean and dry brush.
- Do not clean, paint, engrave or use any chemicals on the product.

Warranty

- Our Products comes with a 12 month warranty against any manufacturing defects.
- The warranty does not cover damages due to incorrect and inaccurate installation of the product.
- For any guidance or help required with installation, please email us at help@ebco.in with your order number and a scanned copy of the invoice.
- The warranty does not cover any usage of the product beyond its intended use and wear and tear in the natural course of product usage.
- The warranty is only valid against an original invoice received at the time of purchase.

Returns

- All sales are final, except in the case of any manufacturing defects. For any manufacturing defects, we offer easy replacements.
- In the case of transit damage, it rests solely at the discretion of Ebco to process any replacements on a case-by-case basis.
- In case, you receive a defective or damaged product , please contact us within 7 days of receipt. Email us a few photographs with the order number and a scanned copy of the invoice to help@ebco.in.
- We will assess the damage and revert within 24 hours. We will either arrange to collect the product and send you a replacement free of charge or just send you a replacement

part.